

BEFORE YOU BEGIN

- Please read these instructions carefully to familiarize yourself with the required tools, materials, and installation sequences. Follow the sections that pertain to your particular installation. This will help you avoid costly mistakes. In addition to proper installation, read all operating and safety instructions.
- All information in these instructions is based upon the latest product information available at the time of publication. Kohler China reserves the right to make changes in product characteristics, packaging, or availability at any time without notice.
- These instructions contain important care, cleaning, and warranty information - **please leave instructions for the consumer.**

安装之前

- 请小心详阅本指引。以便熟悉所需工具、材料及安装程序。请遵照适用的章节来安装你的小便器，以避免由于安装不当而导致不必要的损失。除了有关正确的安装方法之外，还务请详阅所有操作及安全指引。
- 本指引所载之一切资料，均以印刷时所有之最新产品情况为基础，科勒中国保留权利随时更改产品特性、包装或供应情况，恕不另行通知。
- 本指引也包含了有关护理、清洁及保养等重要资料 - 请交予用户保存。

SUPPLIED PARTS

1. 1007763.....Nut
2. 1007764.....Bushing
3. 1007765.....Washer
4. 18376-AA.....Urinal Spud Assy
5. 18766-AA.....Urinal Outlet Assy
6. 52046-AA.....Hanger Assy

NOTE: Parts 1~3 are used to connect urinal spud.

服务配件

1. 1007763.....螺母
2. 1007764.....套管
3. 1007765.....垫片
4. 18376-AA.....进水接头组件
5. 18766-AA.....出水接头组件
6. 52046-AA.....挂钩组件

注意：1~3配件是用来联接小便器进水口接头的。

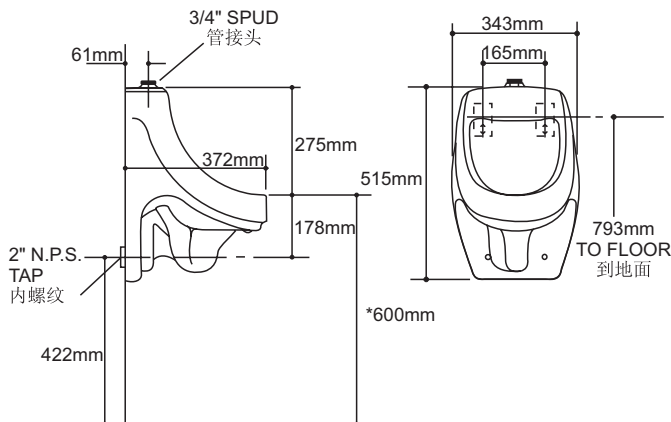
ROUGHING-IN

* Fixture dimensions are nominal and confirm to tolerances by ASME Standard A112.19.2M.

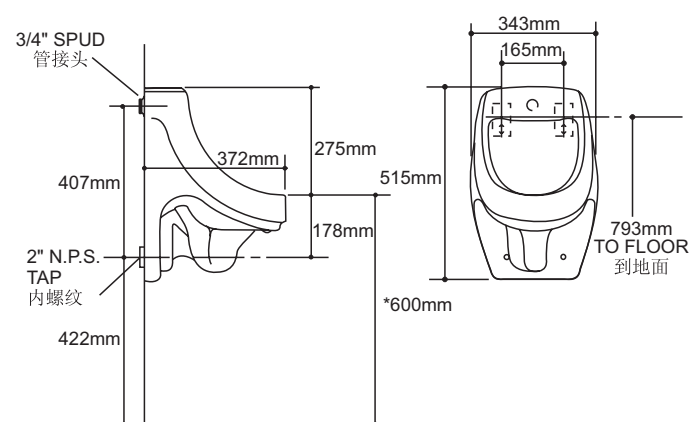
尺寸图

* 部件尺寸为标定值，误差符合美国机械工程学会标准ASME (A112.19.2M)。

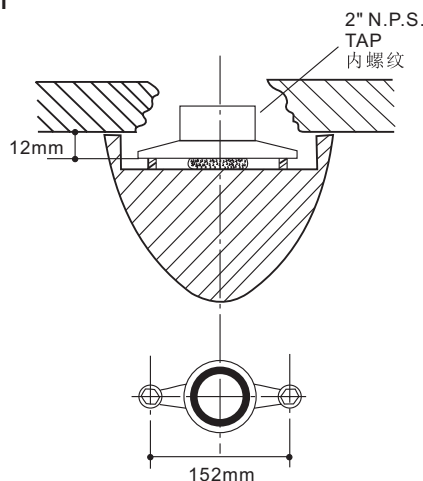
K-5016T-ET



K-5016T-ER



适合于K-5016T-ER和K-5016T-ET



OUTLET DETAILS
出水口详细图

INSTALLATION

安装

Refer to the roughing-in drawing for proper heights of supply and waste locations. Install supply piping and waste piping in accordance with local plumbing codes.

请参照尺寸图，以确保供水管及污水管的位置正确；且须遵守当地给排水规定来安装供水管和污水管。

1. Measure from floor to centerline of waste outlet 425mm high and anchor waste pipe with 2" NPS male nipple protruding approximate 13mm past the finished wall.
2. Measure from floor to centerline of hanger brackets 793mm and anchor hangers securely to the wall.
3. Screw the waste fitting (supplied with urinal) to the waste pipe nipple so that the face of outlet flange is 12mm from finished wall. **Refer OUTLET DETAILS.**
4. Place sponge rubber gasket onto waste fitting (beveled side facing urinal).
5. Place urinal on hangers and let gently slide down into position.
6. Secure waste fitting to urinal using the two bolts and washers supplied.
7. Connect the flushometer valve to the supply nipple and urinal according to the flushometer valve manufacturer's recommendations.
8. Check for tightness of all connections and turn on the water. Flush urinal and adjust the control stop on the flushometer valve for flow volume, if needed.

1. 由地面到污水管出口中心线高度为422mm，用2" NPS的公螺纹接套固定污水管，公螺纹接套须凸出完工墙约13mm。
2. 由地面到挂钩的中心线高度应为793mm，把挂钩安稳地固定在墙上。
3. 将污水管装置(随产品供应)上紧于污水管螺纹接套上，出水法兰到完工墙的距离为12mm。请参考出水口详细图。
4. 把海绵橡胶密封垫圈放在污水管装置之上(斜面应朝向小便器)。
5. 把小便器放在挂钩上，轻轻向下推至恰当的位置。
6. 用已提供的两个螺栓和垫圈，把污水管装置固定在小便器上。
7. 按冲水表阀制造商的指引，把冲水表阀接上供水管螺纹接套及小便器。
8. 检查所有连接是否上紧，然后打开供水管，冲洗小便器，如有需要可调整冲水表阀上的流量调节器。

NOTE: For rear inlet urinals, when planning installation, installer must allow connection of inlet water supply behind urinal.

注意：如果订购的是K-5016T-ER后进水小便器，当计划安装时，安装人员必须使进水连接口位于小便器的背后。

IMPORTANT CONSUMER INFORMATION


用户须知

CONSUMER RESPONSIBILITIES

If you live in a hard water area, make certain that the holes in the toilet rim are kept clean to ensure proper flushing. Toilet bowl cleaners should be used at least once a week. Use a long-handled brush to clean the rim holes, and to clean as far into the trap as possible to prevent mineral deposits from forming.

Most toilet bowl cleaners are not harmful to the vitreous china surface of the urinal. Please follow the bowl cleaner manufacturer's instructions carefully.

Do not use abrasive cleaners or solvents.

 **WARNING: Risk of property or product damage.** Do not use cleaners inside the wash basin. Products containing chlorine (calcium hypochlorite) can seriously damage fittings in the urinal. This damage can cause leakage and property damage.


Kohler Company shall not be responsible or liable for any damage to these urinal fittings caused by the use of cleaners containing chlorine (calcium hypochlorite).

用户责任

如果你居住地方的水质是硬性，你必须保持冲水孔清洁，令小便器冲水正常。每星期应最少使用厕所清洁剂清洁一次，用长把手的刷子清洁冲水孔，并尽量伸入排污管洗刷，防止矿物质积聚。

大部份厕所清洁剂都不会损坏小便器表面的釉面陶瓷，但烦请遵照厕所清洁剂生产商指示小心进行。

请勿使用腐蚀性剂或溶剂。

 **警告：提防楼宇受损或损坏产品。** 请勿使用小便池内用清洁剂。含氯(次氯酸钙)的清洁剂会严重破坏小便器附件，从而引起渗漏，或对楼宇结构造成损坏。

科勒公司对此类因使用氯(次氯酸钙)而引致的小便器附件损毁，概不负责。

LIMITED ONE-YEAR WARRANTY

一年有限担保

Plumbing Fixtures and Fittings Limited One-year Warranty

陶瓷及浴缸产品及配件担保——一年有限担保

Kohler plumbing fixtures and fittings are warranted to be free of manufacturing defects.

科勒公司担保其陶瓷及浴缸产品及配件在制造工艺上无瑕疵。

This product is warranted for one year from date of purchase. Kohler China will be responsible for any problems caused by manufacturing defects provided with the invoice. Kohler China will, at its election, repair, replace or make appropriate adjustment where Kohler China inspection discloses any such defects occurring in normal usage within one year after purchase.

本产品自购买之日起即获得本公司一年的质量保证。在质保期内，凭购货发票，科勒公司将免费承担由制造质量引起的任何问题。经核查后，科勒中国有限公司有权决定是修理、更换、还是作适当的调整。

Implied warranties including that of merchantability and fitness for a particular purpose are expressly limited in duration to the duration of this warranty, Kohler China disclaims any liability for special, incidental or consequential damages. Damages to the product caused by misuse, abuse and installation that is not in accordance with the owner's manual are not covered by this warranty.

这里所指的担保，包括产品，都已明确地限制在该担保期之内。科勒中国有限公司对其后出现的损坏不负有任何责任。担保也不包括外观损伤、使用不当以及未按说明书安装的损失。

To obtain quick warranty service, please contact your dealer, or write to Kohler China. (Original sales receipt must be provided as the proof of purchase.)

为获得快捷的担保服务，请联系您的销售商；您也可写信给科勒中国有限公司(请出示销售发票原件作为购货凭证)：

Kohler China Investment Company Ltd.
Central Customer Service Center
19/F, Shanghai Square, 138 Huai Hai Road,
Luwan District, Shanghai, PRC
Zip Code: 200021

科勒(中国)投资有限公司
中央客户服务中心
上海市卢湾区淮海中路138号
上海广场19楼
邮编：200021

This is our exclusive written warranty.

这是我们全部的书面担保。