

BEFORE YOU BEGIN

安装之前

A. HOW TO USE THESE INSTRUCTIONS

- Please read these instructions carefully to familiarize yourself with the required tools, materials, and installation sequences. Follow the sections that pertain to your particular installation. This will help you avoid costly mistakes. In addition to proper installation, read all operating and safety instructions.
- All information in these instructions is based upon the latest product information available at the time of publication. Kohler China reserves the right to make changes in product characteristics, packaging, or availability at any time without notice.
- The illustrations of product in this manual are only for reference.
- These instructions contain important care, cleaning, and warranty information-**please leave instructions for the consumer.**

A. 怎样使用本说明书

- 请仔细阅读本说明书，以便熟悉所需工具、材料及安装程序。请遵照相关章节进行安装，以避免由于安装不当而导致不必要的损失。除了有关部门正确的安装方法之外，还务请阅读所有操作安全说明。
- 本说明书所含一切材料，均以印刷时所有的最新产品为准。科勒公司保留随时更改产品特性、包装或供应情况的权利，恕不另行通知。
- 本说明书中的产品图例仅供参考，实际外形以实物为准。
- 本说明书包含了有关护理、清洁及保养等重要资料-请交予用户保存。

B. NOTES

- Observe all local plumbing and building codes.
- Stop Valve has a 1/2" NPT inlet supply connection.
- Fixture dimensions are nominal and conform to tolerances by ANSI Standard A112.19.2-2003.

B. 注意

- 遵守当地所有给排水及建筑规定；
- 止水阀有1/2"NPT进水连接部分；
- 设备尺寸均属公称尺寸，符合美国国家标准A112.19.2-2003的允许误差。

C. REQUIRED TOOLS AND MATERIALS

- Open end/adjustable wrenches
- Supply piping and connectors
- Tape measure
- Thread sealant tape
- Basin Wrench
- Screw driver

C. 所需工具及材料

- 开口/活动板钳
- 供水管和管件
- 卷尺
- 螺纹密封带
- 梅花板钳
- 螺丝刀

D. ROUGHING-IN

Turn off cold water supplies.

Install or relocate supply tubing and waste pipe to conform to roughing-in dimensions.

See Fig. #1 for DC roughing-in dimension requirements.

See Fig. #2 for AC roughing-in dimension requirements.

* Urinal complies with ADA requirement when rim is mounted no higher than 17" from finished floor.

D. 安装尺寸

关闭冷水源

安装或重新安排供水管及出水管，使它们与安装尺寸保持一致。

直流型安装尺寸要求请参阅图1

交流型安装尺寸要求请参阅图2

*当所装边缘距完工地面不高于432mm时，小便器即符合美国残疾人法令的要求。

广东省佛山市三水区乐平镇
三水中心工业园区科勒大道 邮编：528137

* Recommended dimensions for installation only, please adjust according to actual situation.

*仅为建议安装尺寸，客户可根据实际情况调整。

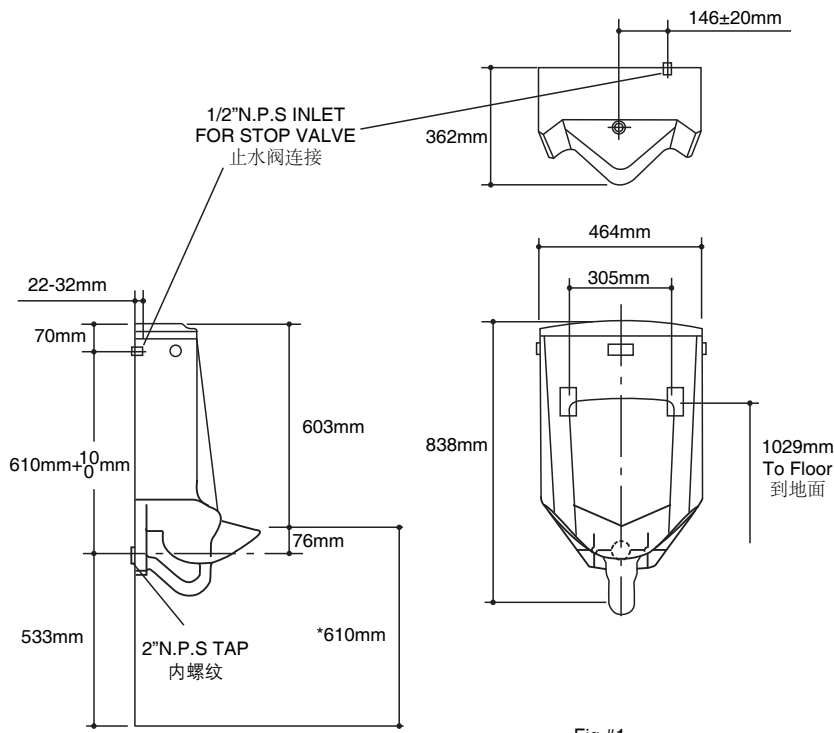


Fig.#1
图1

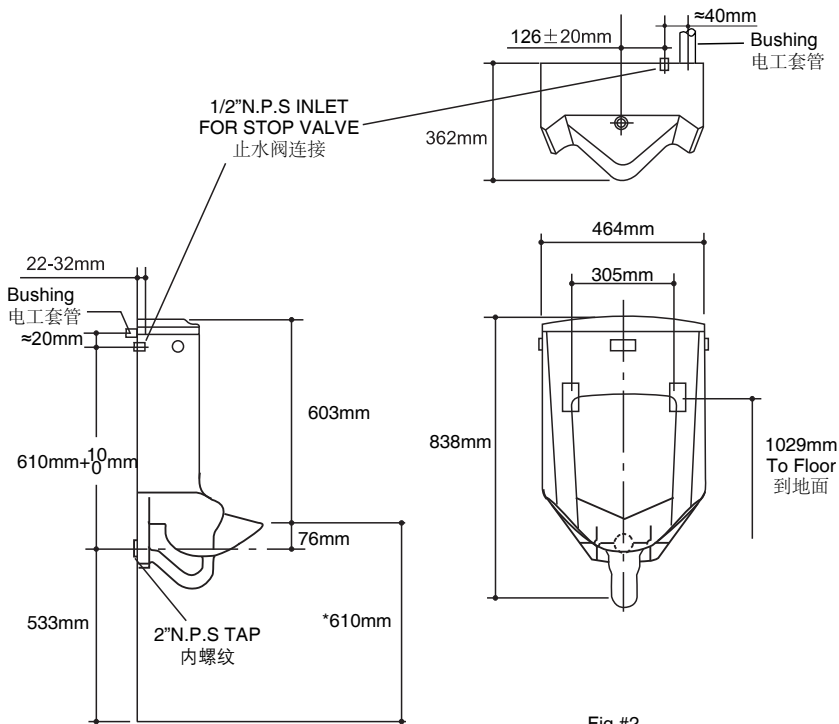
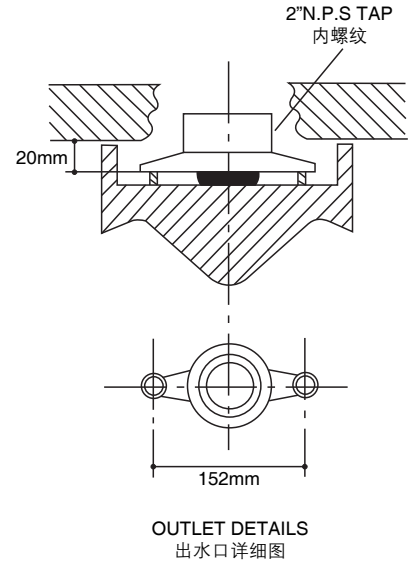
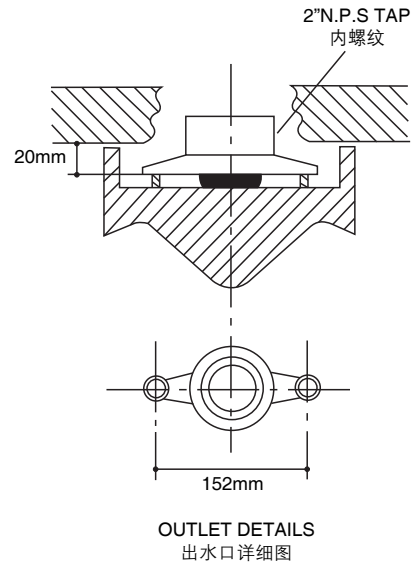


Fig.#2
图2



NOTE: Roughing-in dimension requirements for supply tubing as shown.

注意： 供水管中心尺寸要求如上图。

Supply tubing is 22-32mm out of the wall. Otherwise, stop valve can not be installed and adjusted properly.

供水管应凸出墙面22-32mm，否则将影响止水阀安装及调节。

Bushing flush with the wall, Otherwise, stop valve can not be installed and adjusted properly too.

电工套管与墙面齐平，否则也将影响止水阀安装及调节。

Inner diameter of supply tubing is no less than 10mm, otherwise the flushing will be affected.

供水管内径不得小于10MM,否则将会影响冲洗效果。

1.MOUNT URINAL

See Fig.#3

Install hangers per roughing-in illustration.
Apply sealant tape to pipe threads and install female collar on waste pipe. Place washer on female collar.

Install Urinal. Secure urinal to female collar with screws and washers.

CAUTION: Risk of chipping or breaking urinal. Do not overtighten screws.

NOTE: Do not caulk top surface of urinal. Caulk may prevent tank cover from seating properly.

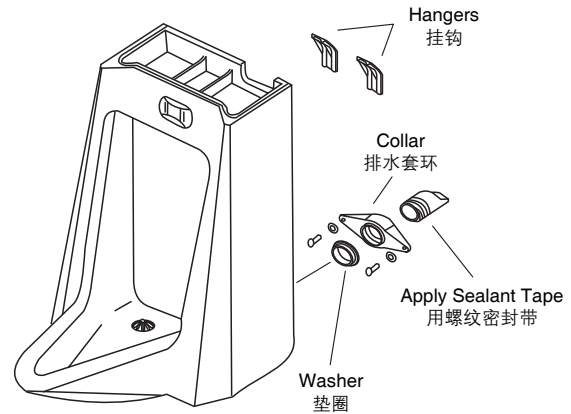


Fig.#3
图3

1.安装小便器

请参阅图3

根据安装尺寸示意图安装挂钩。
在管螺纹处缠上密封带，在出水管上安装出水接头。将垫圈装在出水接头处。

安装小便器，用螺丝和垫圈将小便器紧固在出水接头上。

警告：小便器有破损和崩裂的危险，不要将螺丝上得过紧。

注意：不要给小便器顶部表面涂胶。涂胶会导致水箱盖无法盖好。

2.CONNECT SUPPLY

See Fig.#4

Apply sealant tape to pipe thread and install stop valve assembly and tighten connection.

NOTE: Stop valve should face left side of tank when tighten.

Please clean the inside of water supply pipe before connecting to the product.

Plug seal ring into inlet hole of urinal.

Remove the nuts for fixing the bezel and the two clamps.

NOTE: While removing the nuts, avoid dropping bezel, which may break urinal.

Take off the protection cap of the sensor window. Put the sensor window into the bezel, fix sensor window with the clamp and the nuts.

NOTE: Tighten the nuts slightly to prevent damage sensor window (Do not over tighten the nuts.)

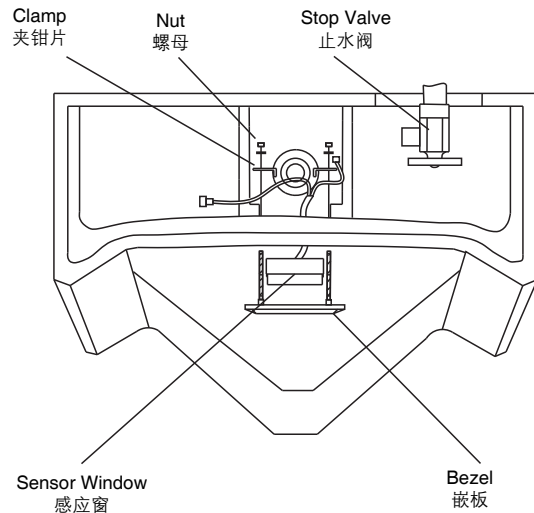


Fig.#4
图4

2. 联结供水

请参阅图4

将密封带缠在供水管螺纹处，安装止水阀，拧紧接口。

注意：拧紧时，止水阀应面对水箱左侧。

将本产品连接上供水管前，建议先冲洗干净供水管。

将密封塞嵌入小便器陶瓷件的进水孔中。

旋下固定嵌板用的两个螺母，取下两块夹钳片。

注意：旋下螺母时，防止嵌板掉落，砸坏小便器。

取下感应窗护盖后，将感应窗放入嵌板中，用夹钳片、螺母固定感应窗。

注意：旋紧螺母时，不可过紧，防止损坏感应窗。

See Fig.#5

Loose the pipe clamp and adjust the position of plastic pipe and outlet pipe. Do not tighten for the future adjustment. Put the G1/2 washer into the connector of the pipe assy. Connect the pipe assy with the valve assy.

Take off the protection cap from the connector assy.

NOTE: Do not screw the part between the connector assy and the valve assy. Do not lose the filter assy when taking off the protection cap.

请参阅图5

将胶管夹旋松，调整软管与出水管的位置，暂不拧紧胶管夹，以备调整。将配件中的G1/2平垫放入配管组件的接头后将配管组件与阀体组件连接好。

将保护帽从连接组件上取下。

注意：在安装过程中禁止拧动连接件组件与阀体组件之间的连接部位。取下保护帽时，小心滤网组件丢失。

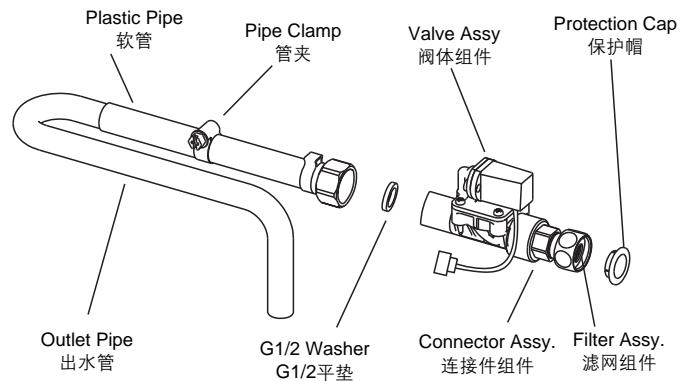


Fig. #5
图5

Please directly reference to Fig. #6 when installing K-4915T, K-4915T-W or K-4915T-Y (DC).

Please directly reference to Fig. #7 when installing K-4915T-C05, K-4915T-WC05 or K-4915T-YC05 (AC).

Put the valve assy and the pipes into the tank of urinal. Adjust the distance of outlet pipe and plastic pipe. Then make the outlet pipe aim at the sealing washer and make the valve assy aim at the outlet of stop valve.

Plug the other end of outlet pipe into the sealing washer and connect the valve assy with the stop valve.

At this time, all the pipes, valve assy and stop valve shall be placed orderly. Tighten the pipe clamp and the net.

NOTE:

1. Do not lose the filter assy during the installation. The distance between pipe clamp and the end of outlet pipe shall be more than 20mm.
2. Adjust the stop valve to allow the location of the bushing when install AC.

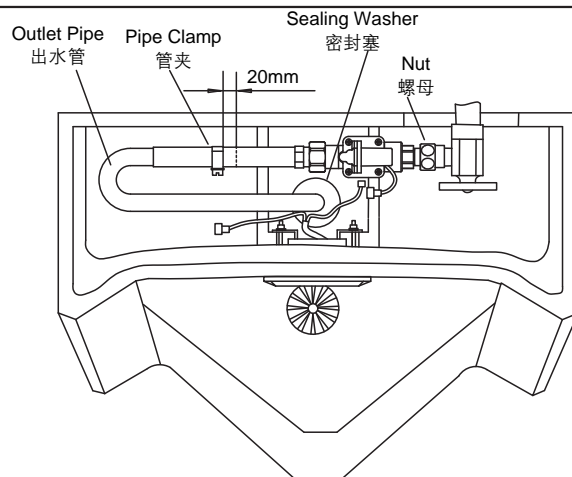


Fig. #6
图6

安装直流系列K-4915T、K-4915T-W 或K-4915T-Y请参阅图6。

安装交流系列K-4915T-C05、K-4915T-WC05或K-4915T-YC05请参阅图7。

将上一步骤连接好的阀体及管件移至小便器暗盒中，调整出水管与软管的伸缩距离，使出水管对准密封塞，G1/2螺母对准止水阀出水口。如图所示将出水管一端插入密封塞中，将阀体组件与止水阀连接起来。

此时所有管件、阀体及止水阀都应放置整齐。拧紧胶管夹和螺母。

注意：

- 1.此过程中防止滤网组件丢失。胶管夹应距离出水管端面至少20mm。
- 2.安装交流型时，需调节角阀组件以让出电工套管的位置。

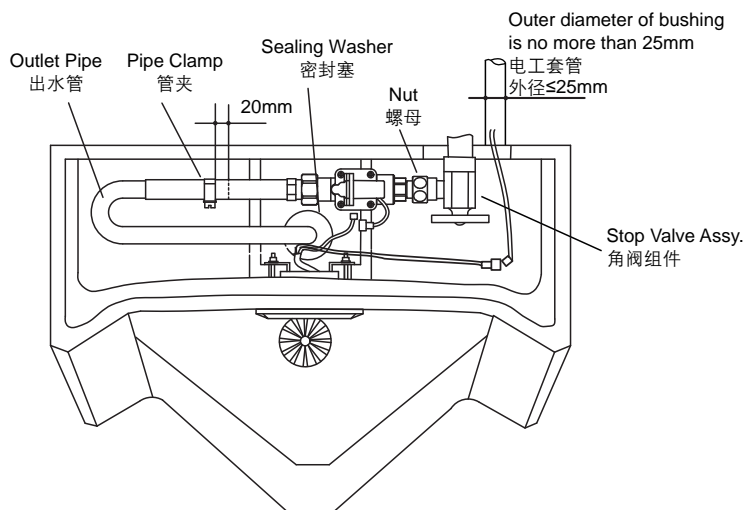


Fig. #7
图7

Please directly reference to Step 3 when installing K-4915T, K-4915T-W or K-4915T-Y(DC).

Please match 16306T-NA AC power unit when installing K-4915T-C05, or K-4915T-WC05, or K-4915T-YC05(AC). The way of installation is as below.

CAUTION:

- a. Do not connect 220V AC Power supply to DC wiring terminal.
- b. Do not damage the covering of AC power unit or remove screws to avoid leakage.

安装直流系列K-4915T、K-4915T-W 或K-4915T-Y请直接参考第3步。

安装交流系列K-4915T-C05或K-4915T-WC05或K-4915T-YC05请选配16306T-NA交流电源盒，安装方式如下：

警告：

- a. 禁止将220V交流电源接入直直流接线端。
- b. 安装时严禁损伤交流电源盒外壳或移开交流电源盒盖螺

A. Fig.#8: AC power unit connect way:

AC power unit is connected to electric control box by connection wire.

A.图8：交流电源盒连接方式：
交流电源盒通过连接线与电控盒相连。

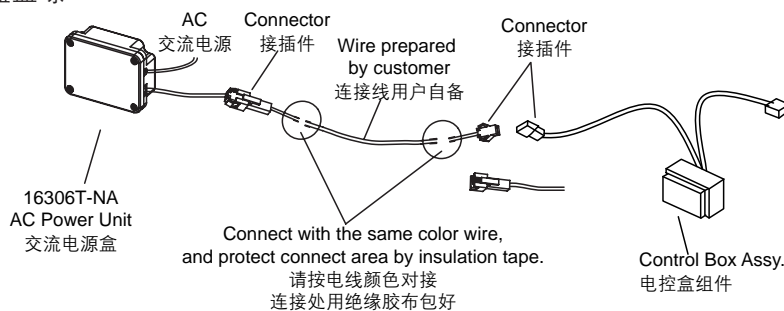


Fig. #8
图8

B. When installing the power unit on the ceiling, please layout bushing according to Fig.#9 and thread wire through the bushing.

Fig.#9: Connection sketch while installing power unit on the ceiling.

⚠ CAUTION: One AC power unit can supply two sensors at most.

B. 将电源盒放在天花板上，如图示安装电工套管，管内装入电线。

图9:交流电源盒安装在天花板上的连接示意图。

⚠ 警告：一个交流电源盒最多可连接两个感应区。

⚠ Notice:

- Keep the connector away from water.
- Don't mistake the direction of inlet and outlet.
- Do not connect the DC output of AC power unit to AC power supply.
- Do not connect to power supply while installing. Connection line is not supplied. AC connection wire with insulating sleeving is recommended. Wire of which the nominal section area of conductor is not less than 0.5mm^2 is also recommended. DC connection line use wire of which the nominal section area is not less than 0.3mm^2 . It is cut according to acted installation requirements (The length of cut wire is recommended less than 10m).
- The head AC power supply must be protected with appropriate fuse.
- Please confirm the AC power supply and water supply should be shut off before maintaining the products with AC power related.

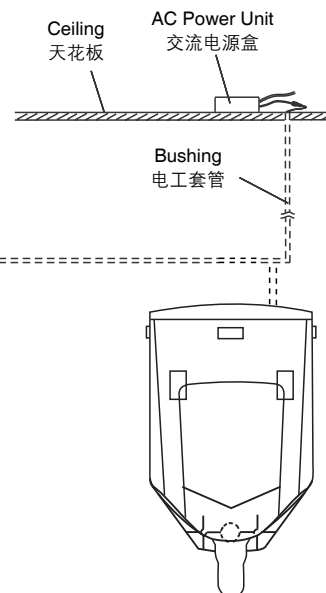


Fig. #9
图9

⚠ 注意:

- 不要让电线接插件接触水。
- 不要将进出水方向弄错。
- 不可将交流电源盒的直流输出端与交流电连接。
- 安装时不要向电源盒供电。连接线请用户自备，建议交流电源线采用导体标称截面积 $\geq 0.5\text{mm}^2$ 的电线，直流连接线采用导体标称截面积 $\geq 0.3\text{mm}^2$ 的电线，电线长度根据实际安装需要自行裁剪（建议连接线长度小于10m）。
- 交流电的总电源必须有合适的熔断丝加以保护。
- 维修时必须断开交流电源并关闭水源。

3. INSTALL BATTERIES(Only for DC)

See Fig.#10

Turn on stop valve. Inspect pipes for leakage in not flushing. Connect the connector of sensor window with the connector of solenoid valve.

Remove the battery box cover and insert alkaline batteries into the battery box. Reinstall the cover of the battery box and tighten it with battery box with screws. Connect the connector of battery box with the connector of the sensor window.

See the section "Replace Batteries".

⚠ NOTE: Do not lose the screws when removing the cover of battery box. Tighten the screw, otherwise the batteries may be affected with damp.

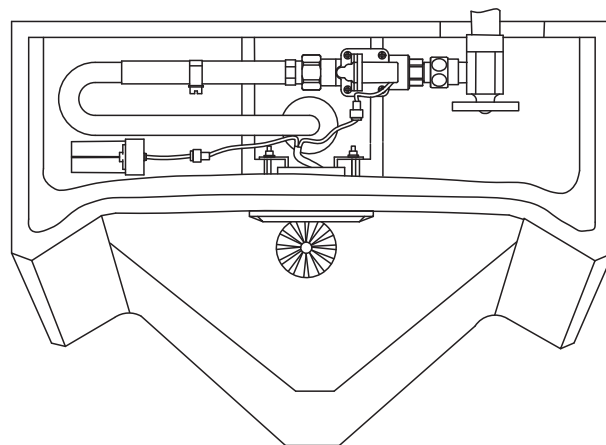


Fig. #10
图10

3. 安装电池 (仅适用于直流型)

请参阅图10

打开止水阀，检查管道的密封应无任何渗漏。将感应器接线端子与阀体电磁阀接线端子相连。

将电池盒盖取下，将碱性电池放入电池盒中，盖上电池盒盖，拧紧螺丝。将电池盒接线端子与感应窗接线端子连接。

参考“电池更换”。

⚠ 注意：取下电池盒盖过程中防止螺丝丢失。盖上电池盒盖时螺丝必须拧紧，螺丝不拧紧将使电池受潮。

4. INSTALL TANK COVER

See Fig.#11

Open tank cover lock package and remove contents.
Place tank cover upside down on a protected surface to prevent damage to tank cover finish.
Place hooks inside tank cover.

NOTE: If necessary, engage the hooks facing opposite the direction illustrated.
Using a 5/8" wrench, assemble and tighten nut, washer and lock nut on both sides of urinal.

⚠ CAUTION: Risk of chipping or breaking urinal. Do not overtighten screws on urinal.

Put tank cover on the urinal.
Using supplied locking tool, install and tighten screw.
Check that tank cover is properly locked.

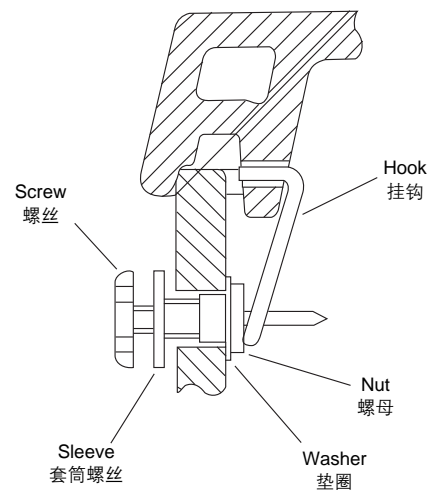


Fig. #11
图11

4. 安装水箱盖

请参阅图11

打开水箱盖包装，并取出所有物品。
把水箱盖有保护装置的一面倒置，以免损伤水箱盖表面。

把挂钩置于水箱盖内。

注意：如有必要，可与图示相反方向放置挂钩。在小便器两侧，用5/8"板钳组装并拧紧螺母。

⚠ 警告：小便器有破损和崩裂的危险。不要将螺丝上得过紧。

把水箱盖置于小便器上。

Don't use this system after 10 minutes power on.

请在通电10分钟后开始使用该系统。

The induction distance will be adjusted and this system will not work during this time.

因为此段时间设定为调节感应范围待机状态。此时系统不工作。

The state of distance adjustment has been last about 10 minutes after power on. No flushing during this period. Before power on, clear the unwanted objects in front of the sensor window to shortening the sensing distance.

接上电源约十分钟为自动调节距离状态，此过程中系统无冲水动作。在接通电源之前，务必清理感应冲洗器窗口前得杂物，保证感应窗口前无任何物体，以免影响自动调距。

The sensor will begin to work normally after 10 minutes. If flushing water volume is not enough, reset the flushing time referring to "Flushing Duration Setting" in order to changing the flushing water volume. (Only for K-4915T or K-4915T-C05)

约十分钟后感应器开始正常工作，如发现冲水量过小，可参考“冲洗时间设定”进行改变冲洗时间，从而改变冲水量大小。(仅适用于K-4915T或K-4915T-C05)

WORKING STATUS FLUSHING

工作状态

Before power on, clear the unwanted objects in front of the sensor window to shortening the sensing distance.

在接通电源之前，务必清理感应冲洗器窗口前得杂物，以免影响自动调距。

REPLACEING BATTERIES(Only for DC)

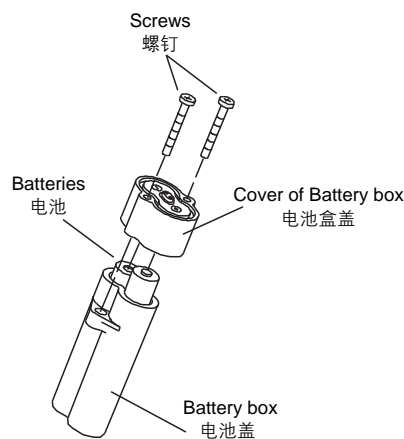
When the batteries are nearly exhausted, the indicator will flush every 2 seconds, the sensor stop working until new batteries are changed.

When changing the batteries, open the cover of battery box and insert new batteries.

NOTE: Pay attention to the pole of batteries and do not use new and old batteries at the same time.

电池的更换(仅适用于直流型)

电池耗尽时，电池指示灯将每隔2秒闪烁一次，感应器停止工作，直至更换电池。更换时打开电池盒盖，换上新电池即可。



注意：更换时注意电池极性。新旧电池不可混用。

CLEAN THE FILTER ASSY

If the flushing volume is reduces,the filter assy must be cleaned.

Remove the nut and take out the filter assy. clean it with a brush and reinstall.

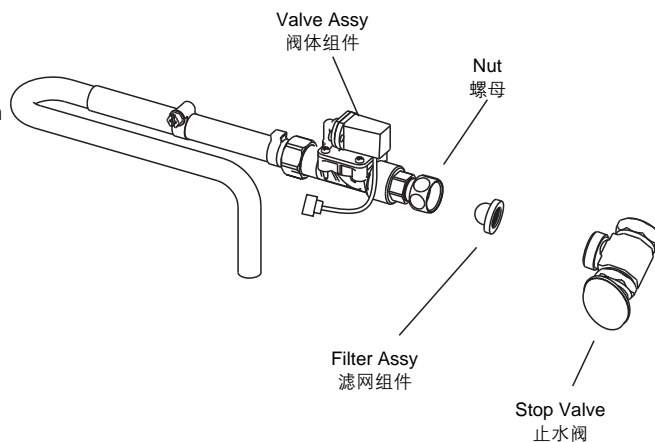
NOTE: Turn off the Stop valve before cleaning.

过滤装置的清洗

初装一段时间或长期使用后，发现出水量明显变小，可清洗阀体中的过滤装置。

旋下螺母，取出滤网，清洗后重新装入即可。

注意：清洗前，请先关闭止水阀。



FLUSHING DURATION(Only for K-4915T and K-4915T-C05)

If the flushing volume is reduced, the flushing duration can be adjusted.

Power off until the indicator stops flashing. During the first 10 minutes after power on, approach the flushing control stick to the center of the sensor window for about 8 seconds. Remove the flushing control stick after a flushing cycle.

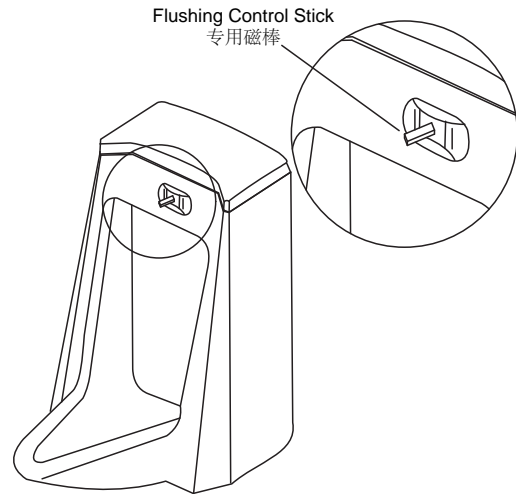
⚠ NOTE: The indicting distance will be adjusted. Any object shall move from in front of the sensor window.

冲洗时间设定(仅适用于K-4915T和K-4915T-C05)

初装时或使用过程中，如感觉出水量过小（因水压偏低造成），可以对感应冲洗阀的后冲洗时间进行调节。

拔掉电源，待感应指示灯完全停止闪烁后，再接上电源。在接上电源的10分钟内，将配备的专用磁棒紧贴感应窗口中间位置，持续约8秒左右，产品有一次出水过程，移走磁棒，设置成功。

⚠ 注意：此过程会产生自动调距，因此人体不可久留。



DEODORIZING FLUSHING

The urinal will take a flush automatically when it's used 3 or 4 times in 2 minutes.

防臭冲洗

当2分钟内连续3-4人以上使用时，小便器自动冲洗一次。

CARE & CLEAN

Keep the sensor window clean. wipe the soft cloth and mild cleaner.

清洁保养

保持窗口清洁，可用蘸有中性清洁剂的软布擦洗。

⚠ NOTE:

- Do not use dust-removing powder, abrasive powder or cleaner containing oil, acid or alkaline ingredient.
- Do not spray air-refresher, disinfect, or other deodorizing, cleaning solvent directly into the sensor.
- Keep wire away from water.
- Don't attack the sensor window.

⚠ 注意：

- 禁止使用去污粉、研磨粉及油类、酸性类、碱性类清洁剂。
- 禁止直接对感应窗口喷洒空气清新剂、消毒液或其他除臭、清洁类有机溶剂。
- 避免水直接接触电线接插件。
- 勿撞击感应窗口。

Manual Flushing

Approach the supplied special magnetic stick (flushing control stick) to the middle part of the sensor lens. The system is now at a manual status and the indicator will flash every 1 seconds. Approach the flushing control stick to the window, it ll, start to flush; approach again, stopping flushing. This status will last for 8 minutes until it turns to the normal working status. (The flushing, if any, will be terminated when this status ends).

手控冲洗

将配备的专用磁棒（冲洗控制棒）靠近感应窗口中间位置，此时系统进入手控状态，感应指示灯每1秒闪烁一次。用冲洗控制棒靠近感应窗口中间位置即放水冲洗，再靠近则停止出水。此状态将维持8分钟，结束后转为正常工作状态（状态结束时，如正在冲水，将被自动关闭）。

⚠ Notice:

The longest flushing time is 30 seconds once. If the flushing control stick keeps near to the sensing window, the manual status will be terminated automatically and reassume the normal working status.

⚠ 注意：

每次冲水时间最长为30秒。冲洗控制棒如持续超过30秒一直不离开感应窗口，将自动解除手控冲洗状态回复

SENSOR SPECIFICATION

感应器规格

Model	K-4915T-Y(0.5L/DC)
	K-4915T-W(1L/DC)
	K-4915T(3L/DC)
	K-4915T-YC05(0.5L/AC)
	K-4915T-WC05(1L/AC)
	K-4915T-C05(3L/AC)
Power Supply	2 piece of AAA sized alkaline batteries(DC)
	220V AC 50/60Hz(AC)
Power Consumption	The batteries can be used about two years(4000 times a month)
Induction Distance	Automatic adjustment according to the ambient circumstance
Detection Duration	About 2 seconds or 5 seconds (automatic adjustment)
Flusing Mode	Double flushing(K-4915T or K-4915T-C05)
	Flushing after used (K-4915T-W, K-4915T-WC05, K-4915T-Y, K-4915T-YC05)
Flusing Water Volume	Average flushing volume is not more than 3L at pressure 0.18~0.55Mpa(K-4915T or K-4915T-C05)
	Water pressure at 0.18~0.55MPa., the average flushing is not more than 1L (K-4915T-W or K-4915T-WC05)
	Water pressure at 0.18~0.55MPa., the average flushing is not more than 0.5L (K-4915T-Y or K-4915T-YC05)
Deodorization Flushing	One forced flushing will be conducted if the urinal is being used continuously for 2 minutes.
Starting Pressure	0.05-0.86MPa.
Operation Temperature	Ambient(water) temperature of 1°C -55°C

Recommended water supply pressure(dynamic pressure at inlet): 0.18~0.55MPa.

型号	K-4915T-Y(0.5L/直流型)
	K-4915T-W(1L/直流型)
	K-4915T(3L/直流型)
	K-4915T-YC05(0.5L/交流型)
	K-4915T-WC05(1L/交流型)
	K-4915T-C05(3L/交流型)
电源	2节7号碱性电池(AAA X 2)(直流型)
	220V AC 50/60Hz(交流型)
电池使用寿命	约2年 (每月使用4000次)
感应距离	视使用环境自动调节
检测时间	约2秒或5秒 (自动调节)
冲洗方式	两段冲洗 (K-4915T、K-4915T-C05)
	使用后冲洗 (K-4915T-W、K-4915T-WC05、K-4915T-Y、K-4915T-YC05)
冲洗水量	水压为0.18~0.55MPa.时, 平均冲水量不大于3L (K-4915T、K-4915T-C05)
	水压为0.18~0.55MPa.时, 平均冲水量不大于1L (K-4915T-W、K-4915T-WC05)
	水压为0.18~0.55MPa.时, 平均冲水量不大于0.5L (K-4915T-Y、K-4915T-YC05)
防臭冲洗	2分钟不间断连续使用时, 强制冲洗一次
启动水压	0.05-0.86MPa.
使用温度	环境1°C -55°C (水温1°C -55°C)

推荐供水压力 (进水口流动水压) 0.18~0.55MPa.

TROUBLESHOOTING

故障排除

Make sure to complete the procedures following before asking for repair:

SYMPTOMS	PROBABLE CAUSES	CORRECTIVE ACTION
No flushing(indicator lamp fails to work)	1 Batteries reversed. (only for DC) 2 There are other objects are being detected. 3 Dirty sensor window. 4 No power or mistake connected.	1 Check the batteries. (Only for DC) 2 Remove objects or adjust the induction distance. 3 Clean the sensor window. 4 Check the power connect.
Indicator lamp flashing but little or no water when user or object detected	1 Initial 10 minutes. 2 Stop Valve is not opened. 3 Low water pressure. 4 Dirty filter.	1 wait 10 minutes 2 Turn on the stop valve 3 increase water supply pressure 4 Clean the filter or remove restrictor
Water does not stop indicator lamp does not flash	The value is clogged.	Clean filter and cause unit to flush several times, If filter clogs again, turn off stop valve, flush to clean off water supply line.
Indicator lamp flashing continuously and no water	Batteries are exhausted. (only for DC)	Replace the batteries. (only for DC)

After the check above, the problem still exist, contact us through dealer

请在委托修理前做以下检查:

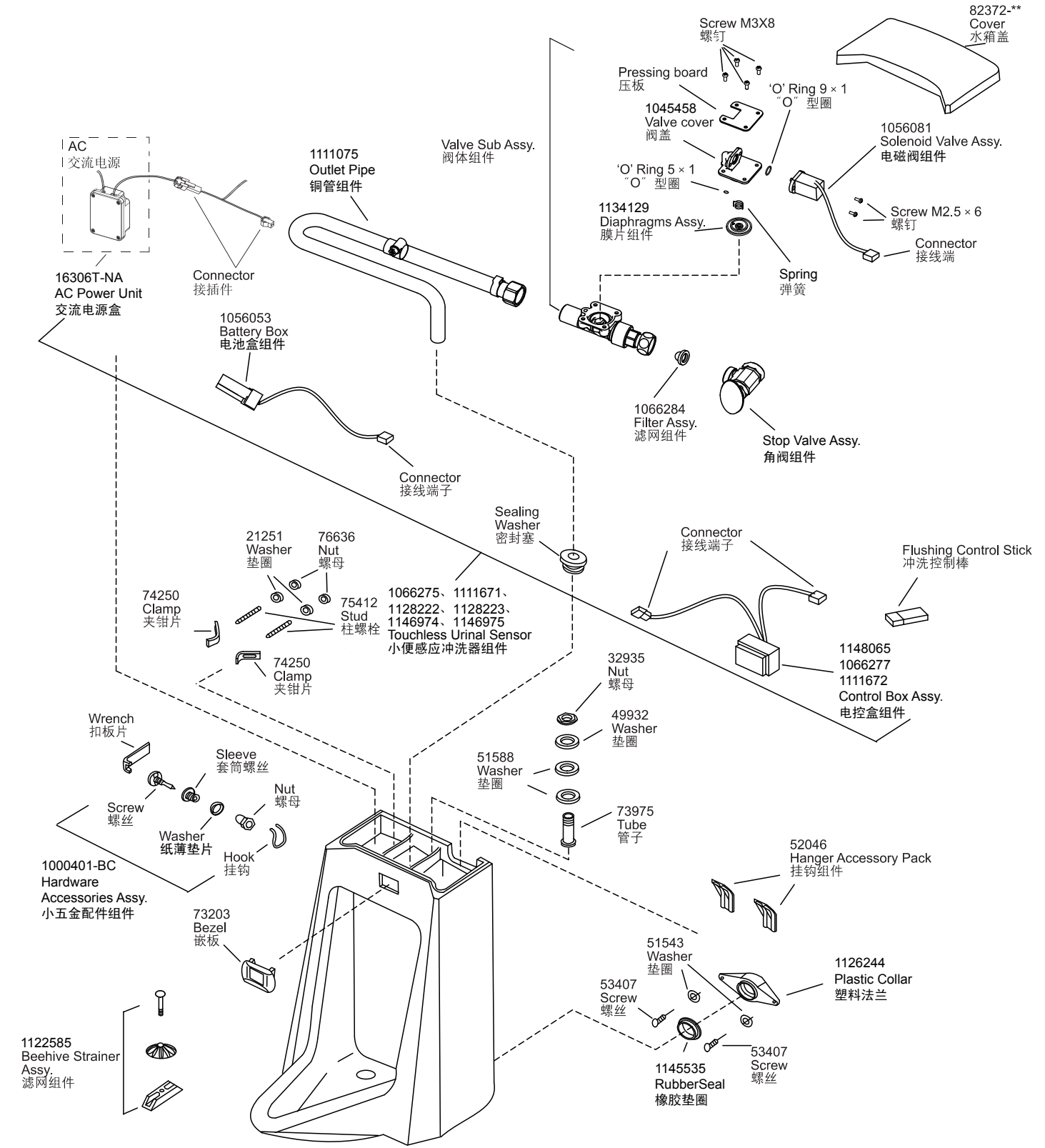
现象	原因	处理方法
无感应、不冲洗 (感应指示灯不亮)	1 电池装反 (仅用于直流型) 2 感应范围内有其他物体一直被感应 3 感应窗口较脏 4 无电源或接线有误	1 检查电池 (仅用于直流型) 2 清理物体或适当调短感应距离 3 感应窗口较脏 4 无电源或接线有误
在感应(感应指示灯闪烁) 而无水流出或出水较差	1 上电待机状态 2 止水阀未完全打开 3 水压太低 4 过滤装置脏堵	1 等待10分钟 2 打开止水阀 3 改善供水情况 4 清洗过滤装置
不停水 (感应指示灯不闪烁)	阀体部件内有脏物	清洗过滤装置后, 使感应器连续感应动作数次, 如问题依然存在, 请清洗管路。
感应指示灯连续闪烁而不出水	电池耗尽(仅用于直流型)	更换新电池(仅用于直流型)

如按以上操作仍然未解除故障, 请通过销售商与本公司联系。

CONSUMER RESPONSIBILITIES

用户责任

- Urinal is designed or use with potable water. Avoid water that includes a lot of contaminants or with acid/alkali water and impure water.
- If you live in a hard water area, make certain that the holed in the toilet rim are kept clean to ensure proper bowl flushing. Toilet bowl cleaners should be used at least once a week. Use a long-handled brush to clean the rim holes, and to clean as far into the trap as possible to prevent mineral deposits from forming.
- Most toilet bowl cleaners are not harmful to the surface of the urinal. Please follow the bowl cleaner manufacture's instructions carefully.
- Do not use abrasive cleaners for china surface.
- Do not directly flush the wire connector of sensor with water.
- Do not make Sensor Window near strong ultraviolet and electromagnetism.
- Keep the sensor window clean. Do not attack the sensor. The sensor cover can be cleaned by the soft rag (with neutral liquid detergent). Do not use the eradicator, abrasive powder or the oil, acid or alkali liquid detergent. Do not sprit the air freshener, disinfectant or the other kinds of odious smell remove, clean organic liquid to the sensor directly.
- 使用水源为自来水或可供饮用井水, 避免使用含有杂质较多或带有酸、碱性的处理水或未加工处理的水。
- 如果你居住地方的水质是硬性, 你必须保持冲水孔清洁, 令小便器冲水正常。每星期应最少使用便器清洁剂清洗一次。用长把手刷子清洁冲水孔, 并尽量伸入排污管洗刷, 以防止矿物质积聚。
- 大部分厕所清洁剂都不会损坏小便器表面的釉面陶瓷, 但烦请遵照便器清洁剂生产商指示小心进行。
- 请勿使用腐蚀性溶剂擦拭陶瓷件表面。
- 请勿直接用水冲洗感应器的电线接插件。
- 请勿使感应窗口靠近强烈紫外线或电磁场。
- 保持感应窗口清洁, 请勿敲击感应窗口。窗口外壳可用蘸有中性清洁剂的软布擦拭。禁止使用去污粉、研磨粉及油类、酸性类、碱性类清洁剂。禁止直接对感应窗口喷洒空气清新剂、消毒液或其他除臭、清洁类有机溶剂。



零件号	1066275	1111671	1128222	1128223	1146974	1146975	1066277	1111672	1148065	16306T-NA
适用产品	K-4915T	K-4915T-W	K-4915T-WC05	K-4915T-C05	K-4915T-Y	K-4915T-YC05	K-4915T K-4915T-C05	K-4915T-W K-4915T-WC05	K-4915T-Y K-4915T-YC05	K-4915T-C05 K-4915T-WC05 K-4915T-YC05

订购时请说明颜色代码(*)或表面处理(**)
Color code (*) or finish (**) must be specified when ordering.