

BEFORE YOU BEGIN

- Please read these instructions carefully to familiarize yourself with the required tools, materials, and installation sequences. Follow the sections that pertain to your particular installation. This will help you avoid costly mistakes. In addition to proper installation, read all operating and safety instructions.
- All information in these instructions is based upon the latest product information available at the time of publication. Kohler China reserves the right to make changes in product characteristics, packaging, or availability at any time without notice.
- These instructions contain important care, cleaning, and warranty information - **please leave instructions for the consumer.**

安装之前

- 请小心详阅本指引。以便熟悉所需工具、材料及安装程序。请遵照适用的章节来安装你的座便器，以避免由于安装不当而导致不必要的损失。除了有关正确的安装方法之外，还务请详阅所有操作及安全指引。
- 本指引所载之一切资料，均以印刷时所有之最新产品情况为基础，科勒中国保留权利随时更改产品特性、包装或供应情况，恕不另行通知。
- 本指引也包含了有关护理、清洁及保养等重要资料 - 请交予用户保存。

ORDERING INFORMATION

PINOIR Toilet.....	S-EB 305mm K-3482T
Includes Elongated Bowl.....	K-4276T-6
Tank.....	K-4609T
Seat.....	K-4653T
PINOIR Concealed Trap Toilet.....	S-EB 305mm K-3733T
Includes Concealed Trap Bowl.....	K-4170T
Tank.....	K-4609T
Toilet Seat.....	K-4653T
PINOIR Toilet.....	S-EB 380mm K-4728T
Includes Elongated Bowl.....	K-4721T-6
Tank.....	K-4609T
Seat.....	K-4653T
PINOIR Toilet.....	S-EB 305mm K-3482T-S
Includes Elongated Bowl.....	K-4276T-6
Tank.....	K-4609T
Quiet-Close Toilet Seat.....	K-4636T-A
PINOIR Concealed Trap Toilet.....	S-EB 305mm K-3733T-S
Includes Concealed Trap Bowl.....	K-4170T
Tank.....	K-4609T
Cachet Quiet-Close Toilet Seat.....	K-4636T-A
PINOIR Toilet.....	S-EB 380mm K-4728T-S
Includes Elongated Bowl.....	K-4721T-6
Tank.....	K-4609T
Quiet-Close Toilet Seat.....	K-4636T-A
PINOIR Toilet.....	S-EB 305mm K-3482T-C
Includes Elongated Bowl.....	K-4276T-6
Tank.....	K-4609T
French Curve Quiet-Close Toilet Seat.....	K-4713T
PINOIR Concealed Trap Toilet.....	S-EB 305mm K-3733T-C
Includes Concealed Trap Bowl.....	K-4170T
Tank.....	K-4609T
French Curve Quiet-Close Toilet Seat.....	K-4713T
PINOIR Toilet.....	S-EB 380mm K-4728T-C
Includes Elongated Bowl.....	K-4721T-6
Tank.....	K-4609T
French Curve Quiet-Close Toilet Seat.....	K-4713T


订购信息


皮诺座便器.....	S-EB 305mm K-3482T
含加长型缸体.....	K-4276T-6
水箱.....	K-4609T
座便器盖板.....	K-4653T
皮诺典雅版座便器组合.....	S-EB 305mm K-3733T
含典雅型缸体.....	K-4170T
水箱.....	K-4609T
座便器盖板.....	K-4653T
皮诺座便器.....	S-EB 380mm K-4728T
含加长型缸体.....	K-4721T-6
水箱.....	K-4609T
座便器盖板.....	K-4653T
皮诺座便器.....	S-EB 305mm K-3482T-S
含加长型缸体.....	K-4276T-6
水箱.....	K-4609T
缓降易拆洗座便器盖板.....	K-4636T-A
皮诺典雅版座便器组合.....	S-EB 305mm K-3733T-S
含典雅型缸体.....	K-4170T
水箱.....	K-4609T
凯诗缓降座便器盖板.....	K-4636T-A
皮诺座便器.....	S-EB 380mm K-4728T-S
含加长型缸体.....	K-4721T-6
水箱.....	K-4609T
缓降易拆洗座便器盖板.....	K-4636T-A
皮诺座便器.....	S-EB 305mm K-3482T-C
含加长型缸体.....	K-4276T-6
水箱.....	K-4609T
法弧型缓降座便器盖板.....	K-4713T
皮诺典雅版座便器组合.....	S-EB 305mm K-3733T-C
含典雅型缸体.....	K-4170T
水箱.....	K-4609T
法弧型缓降座便器盖板.....	K-4713T
皮诺座便器.....	S-EB 380mm K-4728T-C
含加长型缸体.....	K-4721T-6
水箱.....	K-4609T
法弧型缓降座便器盖板.....	K-4713T

广东省佛山市三水区乐平镇
三水中心工业园区科勒大道 邮编：528137

NOTES


- Observe all local plumbing and building codes.
- Shut off the water supply.
- Seat post holes are on 140mm centers.
- 51mm passageway.
- Water depth from the rim:
K-3482T/K-3482T-S/K-3482T-C..... 136mm
K-3733T/K-3733T-S/K-3733T-C..... 148mm
K-4728T/K-4728T-S/K-4728T-C..... 145mm
- Ensure that the new drain has the correct roughing-in dimension. (See Fig. #1.)
K-3482T/K-3482T-S/K-3482T-C..... 305mm
K-3733T/K-3733T-S/K-3733T-C..... 305mm
K-4728T/K-4728T-S/K-4728T-C..... 380mm
- Carefully inspect the new fixture for any sign of damage.
- For new construction, refer to the dimensions in Roughing-in for locating the shut-off valve.
- Fixture dimensions are nominal and conform to tolerances established by ASME Standards A112.19.2-2003.


 **WARNING: Risk of personal injury or product damage.** Handle vitreous china products very carefully. Vitreous china can break and chip if you over tighten bolts and nuts.

 **WARNING: Risk of external leakage.** The fill valve nut has been factory-tightened to design specifications. If re-tightening is required, wrench tighten 1/4 turn past finger tight.

注意

- 遵守当地所有给排水及建筑规定。
- 先关掉水源。
- 盖板孔中心间距140mm。
- 51mm排污通道。
- 座便器上表面距水面:
K-3482T/K-3482T-S/K-3482T-C..... 136mm
K-3733T/K-3733T-S/K-3733T-C..... 148mm
K-4728T/K-4728T-S/K-4728T-C..... 145mm
- 请确保污水管的坑距尺寸正确。(请参阅图1)。
K-3482T/K-3482T-S/K-3482T-C..... 305mm
K-3733T/K-3733T-S/K-3733T-C..... 305mm
K-4728T/K-4728T-S/K-4728T-C..... 380mm
- 小心检验新的座便器是否有损坏的迹象。
- 若为新安装工程, 请参看尺寸图所示尺寸指示以找出止水阀。
- 部件尺寸为标定值, 误差符合美国ASME标准A112.19.2-2003。

 **警告: 提防身体受伤或产品破裂。** 请小心处理釉面陶瓷产品。不可把螺母和螺栓上得过紧, 以免产品破损或崩裂。

 **警告: 有向外渗漏之危险。** 注水阀螺母在出厂时已上紧以符合设计规格, 如需再上紧, 可用手上紧后再以扳手上紧1/4圈。

TOOLS AND MATERIALS REQUIRED (Not supplied)

- 254mm (10") adjustable wrench
- Sponge
- Safety Glasses
- 1/2" Nut Driver or Socket
- 305mm (12") pipe wrench
- Metal file (file cut)
- Tape measure
- Tubing cutter
- Level
- Hacksaw
- Putty knife
- Screwdriver
- Toilet gasket (wax seal)
- Toilet installation flange
- Toilet T-bolts (2), 8mm (5/16") diameter with nuts & washers
- Toilet supply shut-off valve

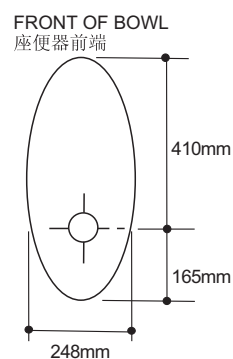
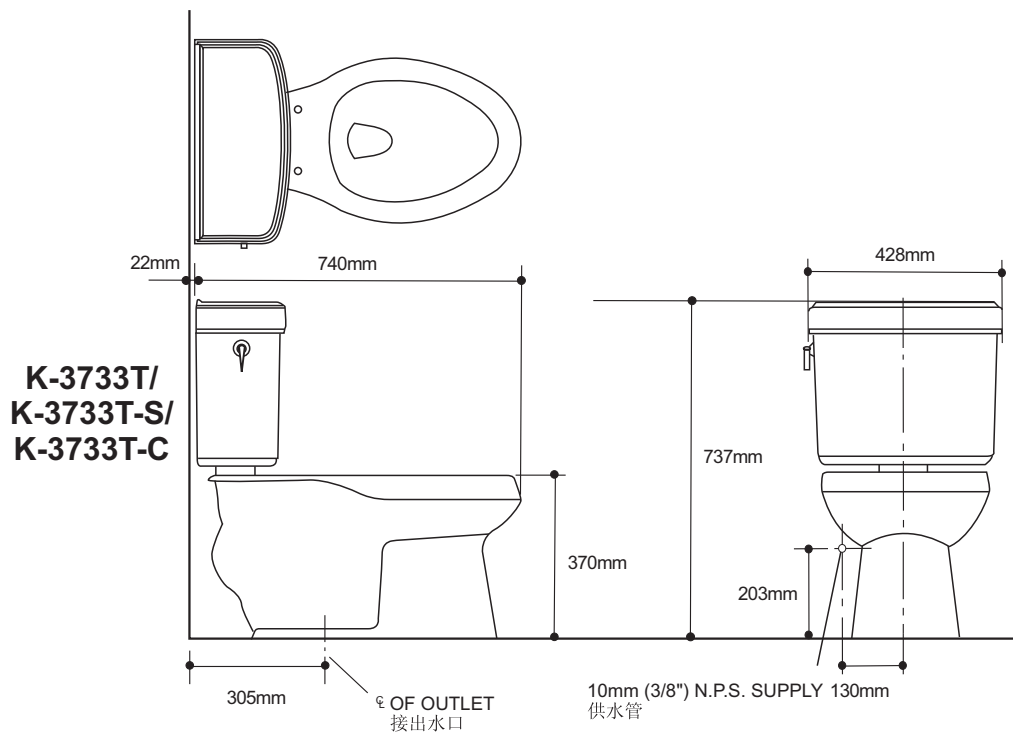
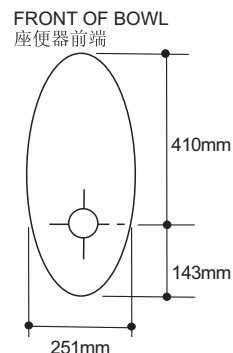
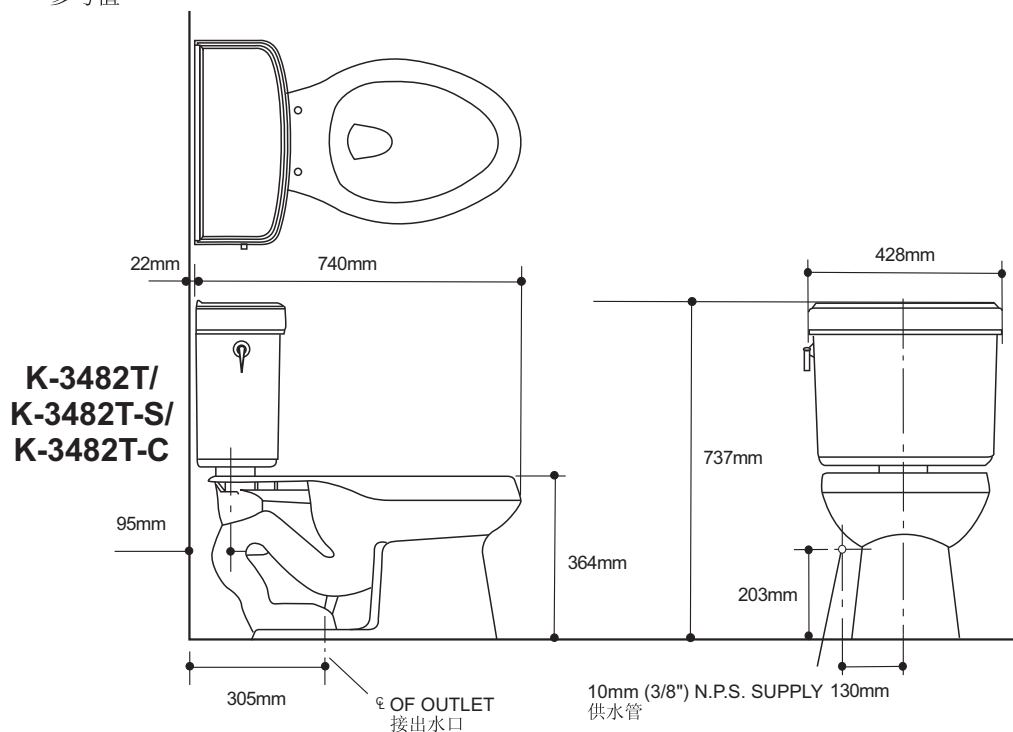
NOTICE: If the existing toilet does not have a supply shut-off valve below the tank, install one before installing the new toilet.

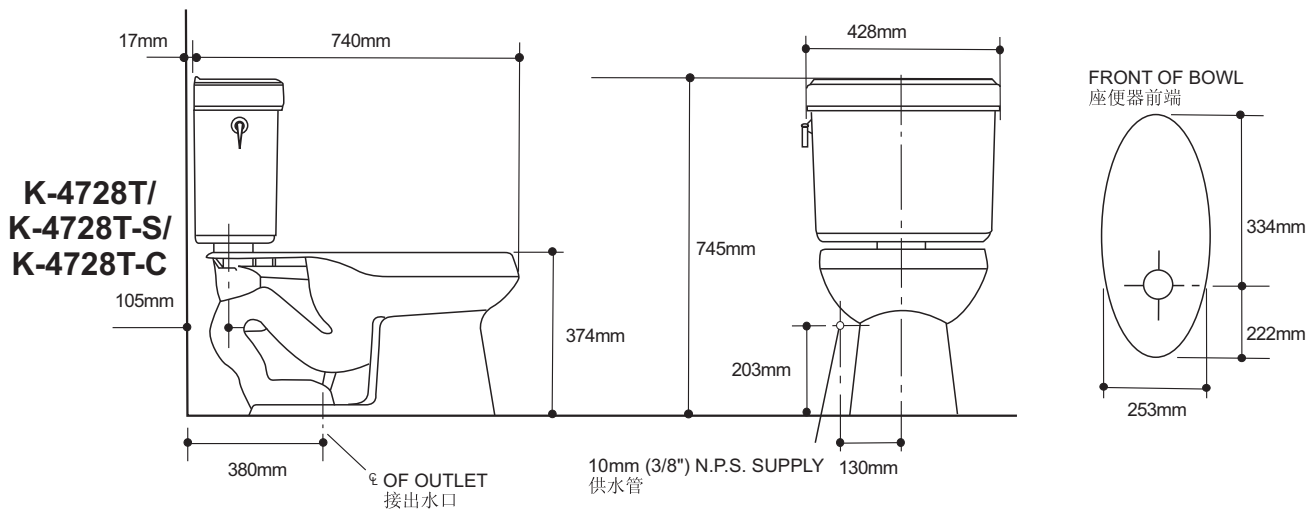
所需工具及物料 (不随货供应)

- 254mm 活动板钳
- 海绵
- 护眼镜
- 1/2英寸螺母起子或管钳子
- 305mm 喉管板钳
- 锉刀
- 卷尺
- 切管刀
- 水平尺
- 钢锯
- 涂油灰刀
- 螺丝刀
- 座便器垫圈(蜡封)
- 安装座便器用之法兰盘
- 直径8mm的T型螺栓(2枚)、螺母及垫圈
- 座便器供水管止水阀

注意: 如果现有座便器的水箱下方没有止水阀, 须在安装新座便器前装设止水阀。

Reference Value
参考值





科勒公司保留随时变更图中标示尺寸的权利，无需另行通知。
Kohler reserves the right to change marked dimensions without prior notice.

Fig.#1
图1

INSTALLATION

安装

TO REMOVE EXISTING TOILET

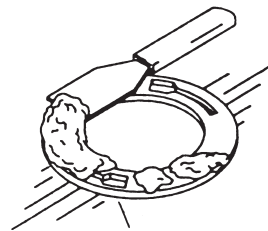
拆除旧座便器

Turn off the water supply. Flush the toilet, and use a sponge to remove the remaining water from the tank and bowl. Disconnect the supply shut-off valve (if present), and remove the old tank and bowl.

关掉供水源，给座便器冲水，用海绵吸去座便器内的剩余水分，除下供水管止水阀(如果有)，移开旧水箱和座便器。

Remove the old gasket from the floor and the closet flange with a putty knife. Remove the old T-bolts and discard them.

NOTICE: If the new toilet is not installed immediately, temporarily stuff a rag into the closet flange.



Closet Flange
法兰盘

Fig.#2
图2

用涂油灰刀拆除地上的旧密封垫圈及座便器法兰盘，拆除及扔掉旧的T型螺栓。

注意：如果不能即时安装新座便器，请用碎布暂将法兰盘堵住。

Install two new 8mm (5/16") diameter T-bolts into the closet flange.

NOTICE: Do not use white cement or high lime content cements to install this toilet. The expansion of cement due to a rise in temperature may make the toilet crack or cause damage. Kohler is not responsible for any damage caused by installation with the use of cement.

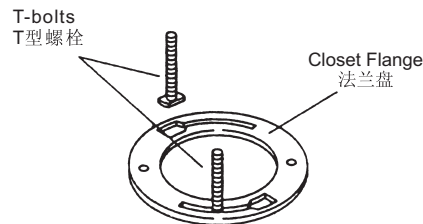


Fig.#3
图3

安装两枚直径8mm的新T型螺栓在法兰盘上。

注意：安装本座便器时切勿使用白水泥或高石灰含量之水泥，因水泥的热膨胀可能使座便器的脚部挤破或损坏。科勒对所有因水泥安装而引致的座便器破裂恕不负责。

TO INSTALL SUPPLY SHUT-OFF VALVE

Install the supply shut-off valve so it is 203mm above the finished floor line, and 130mm to the left of the closet flange centerline.

The centerline of the supply shut-off valve outlet should extend 70mm from the finished wall. Install the supply shut-off valve with the outlet vertical.

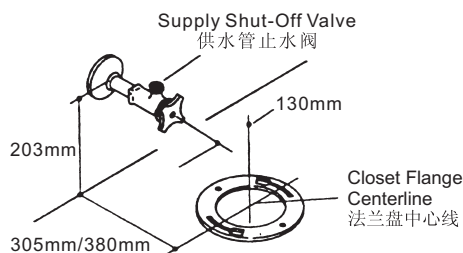


Fig.#4
图4

安装供水管止水阀

安装厕所供水管止水阀，使之离地203mm，也离法兰盘中心线左130mm。

供水管止水出口管应凸出完工墙70mm；安装止水阀应以出口管垂直为合。

TO INSTALL BOWL

Set the bowl upside down on some padding. Firmly press the toilet gasket onto the bowl outlet.

NOTE 1: Wax ring type toilet gasket should not be installed at temperatures less than 21°C.

NOTE 2: If you are using a toilet gasket with an integral plastic sleeve, make sure the gasket is positioned with the sleeve facing away from the toilet.

If you temporarily plugged the closet flange with a rag, remove the rag at this time and ensure that the drain pipe is clear and free of debris.

Carefully align and lower the bowl over the closet flange and T-bolts. Apply full body weight to the bowl rim to set the seal.

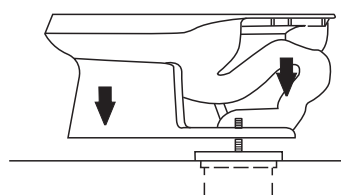
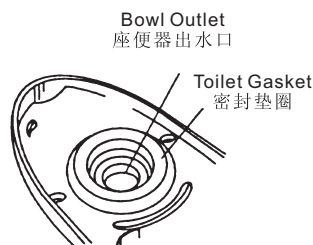


Fig.#5
图5

安装座便器

将新的座便器倒置于垫上，将密封圈紧套于座便器出水口。

注意1: 如使用蜡封式密封垫圈，室温不应低于摄氏度21°C。

注意2: 如所使用的密封垫圈附有内式塑料套，则此垫应朝外放置。

若曾将碎布放在法兰盘内，请先将碎布取出确保污水管清洁，无碎屑阻塞。

小心对准并将座便器放置在法兰盘及螺栓上，再将全身重量向下压在座便器边缘上以固定封口。为了要达到最佳的效果，请在安装时确定座便器是否水平。

CAUTION: Risk of concealed leakage. Do not lift or rock the bowl after placement - a new toilet gasket must be installed if you break the watertight seal.

警告：有隐蔽渗漏之危险。放好座便器后，不可再提起或摇动；如密封垫之防水效果受到破坏，必须更换新的密封垫圈。

Assemble the bolt cap bases, washer, and nuts on the exposed T-bolts. Handtighten the nuts, then tighten them an additional 1/2-turn.

CAUTION: Risk of personal injury or product damage. Overtightening may cause breakage or chipping of the vitreous china.

If the T-bolts extend more than 6mm (1/4") over the top of the nuts, cut off the excess and file the end. Wipe away any residue. Install the bolt caps.

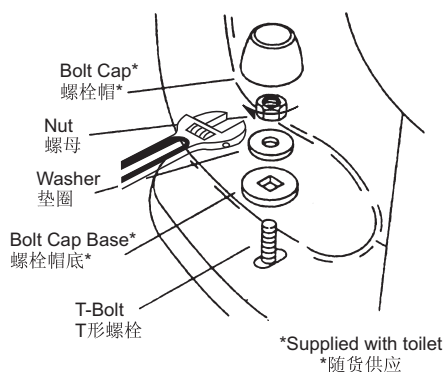


Fig.#6
图6

将螺栓帽底、垫圈和螺母套在外露的T型螺栓上，用手上紧所有螺母，再用板钳额外上紧半圈。

警告：提防身体受伤或产品破裂。螺母不可上得太紧，否则会导致釉面陶瓷损坏及崩裂。

如T型螺栓露出超过6mm时，切掉过长者并锉平末端，然后抹去碎屑，安装螺栓帽。

TO INSTALL NEW TANK

Make sure the three tank bolts extend completely through the holes in the gasket. Set the tank onto the bowl using the tank bolts as a guide. Center the gasket on the inlet of the bowl. Assemble the washer and brass nuts onto the bolts.

Alternately tighten the three brass nuts so the top of the tank and the top of the bowl are both level. Be sure the brass nuts are tight enough to achieve a watertight seal.

CAUTION: Risk of personal injury or product damage. Overtightening may cause breakage or chipping of the vitreous china.

* Shape of the actual gasket may not be the same as shown, but installation method remains the same.
* 密封垫圈之形状与图或有不同, 但安装方法不变。

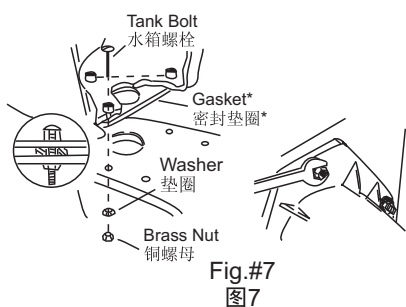


Fig.#7
图7

安装新水箱

确保三颗螺栓已完全穿过密封垫圈孔, 对准螺栓将水箱放置在座便器上, 将密封垫圈放置在座便器入水口的中央, 装上垫圈及铜螺母。

轮流上紧三颗铜螺母, 令水箱顶部与座便器平衡, 且达至防渗漏效果。

注意: 提防身体受伤或产品破裂。 螺母不可上得太紧, 否则会导致损坏及崩裂。

TO CONNECT WATER SUPPLY

* Flexible hose (not provided) are recommended to connect the supply line to the fill valve. If you use a rigid connection(not provided), take care not to apply side forces to the bottom of the fill valve.

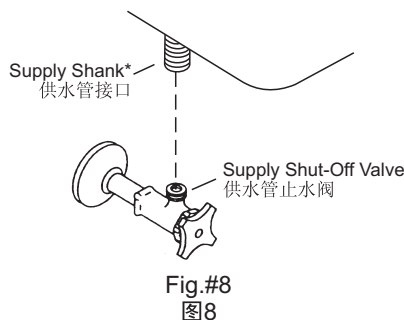


Fig.#8
图8

联接供水管止水阀

* 我们建议使用软管(不随货供应)来连接供水管与座便器进水阀。如果您使用硬管(不随货供应)连接的话, 连接时要注意不要在进水阀的底部施加横向压力, 并注意硬管必须与供阀口完全吻合, 以免强行连接日后会损坏接口。

Open the supply shut-off valve and check all connections for leakage. If the connections have been properly assembled, a slight retightening of the nuts should stop any leakage.

If the toilet is leaking between the tank and bowl, carefully retighten the three brass nuts evenly. Periodically check all the bowl and tank connections for leakage for several days following installation.

CAUTION: Risk of product damage. The valves and fittings in this toilet require no adjustment. Any attempt to adjust the fittings can damage the product. Such adjustments or any modifications of the product are not considered normal usage, and will void the warranty.

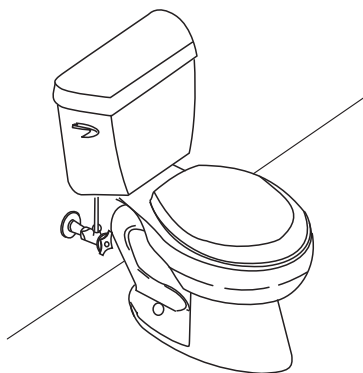


Fig.#9
图9

打开供水管止水阀检查所有接口有无渗漏情况, 如果接口均安装妥当, 将螺母略微旋紧即可防漏。

如果在水箱与座便器之间出现渗漏, 需再小心且均匀地旋紧三颗水箱螺栓。安装后的几天内, 应反覆检查所有接驳处有否渗漏。

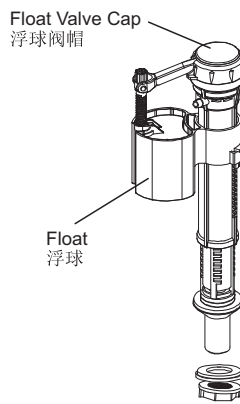
警告: 有产品损坏之危险。 座便器的阀门及配件均无须调校, 任何调校可能对配件做成破坏。任何调校及改动均视为不正当使用, 将使产品保养失效。

TO FILL FLOAT WITH BALLAST

Hold the float underwater for a few seconds to fill it with water ballast.

Test flush the toilet by lifting the flapper chain.

Check all connections for leakage for several days.



注水以稳定浮球

把浮球按在水中数秒使其稳定。

提起橡胶盖链，以测试冲水情况。

安装后的几天内，应反覆检查所有接驳处有否渗漏。

Fig.#10
图10

TROUBLESHOOTING CHART

SYMPTOMS	PROBABLE CAUSES	CORRECTIVE ACTION
1. Fill valve turns on/off by itself without toilet being flushed.	A. Flush valve seal worn, dirty or damaged.	A. Inspect, clean and, if necessary replace seal.
2. Fill valve continues to run, allowing water to enter tank.	A. Fill valve seal (located under fill valve cap) may be cracked or split. B. Tank water level set above overflow level.	A. Replace seal. B. During fill cycle, hold float under water a few seconds to allow it to fill with water ballast. Adjust float by adjust the cross-shaped thread on float rod and sliding float up or down on float rod until water level is at marked water line.
3. Incorrect water level height.	A. Float height incorrect.	A. During fill cycle, hold float under water a few seconds to allow it to fill with water ballast. B. Adjust the cross-shaped thread on float rod until water level is at marked water line.
4. Long or noisy tank fill cycle.	A. Plugged valve inlet or supply line.	A. Perform corrective action 2.A
5. Poor flush.	A. Water usage is too low. B. Trapway obstructed. C. Soil pipe or vent pipe is obstructed. D. Supply shut-off valve not fully open.	A. Adjust the tank water level. B. Clear obstruction from the trapway, jet or bowl rim holes. C. Clear obstruction from soil pipe or vent pipe. D. Open supply shut-off valve.
6. Toilet overflows.	A. Toilet trayway is obstructed. B. Soil pipe or vent pipe is obstructed.	A. Clear obstruction from the trapway. B. Clear obstruction from soil pipe or vent pipe.

故障处理表

现象	原因	处理措施
1. 未冲水浮球阀已自行开/关	A. 冲水阀密封件已磨损, 肮脏或损坏了。	A. 检查, 清洁或必要时更换密封件。
2. 浮球阀运转不停, 水不断溢入水箱	A. 浮球阀密封圈(在浮球阀帽下)可能已破裂。 B. 水箱的水位高度高于溢水线。	A. 更换密封圈。 B. 在水箱注水时, 把浮球按在水中数秒, 使其注够水份稳定下来, 要调整浮球高度, 只需调整浮杆上的十字螺纹, 直至水位处于水位线上。
3. 水位线高度不正确	A. 浮球高度不正确。	A. 在水箱注水时, 把浮球按在水中数秒, 使其注够水份稳定下来。 B. 要调整浮球高度, 只需调整浮球杆上的十字螺纹, 直至水位处于水位线上。
4. 水箱注水需时过长或噪音过大	A. 阀门入水口或供水管堵塞。	A. 按2A措施处理。
5. 冲水不灵	A. 用水量太少。 B. 存水弯堵塞。 C. 污水管或通道堵塞。 D. 供水管止水阀未完全打开。	A. 调校水箱水位。 B. 通开冲水道及清洁喉面孔。 C. 清除污水管或通道的堵塞物。 D. 打开供水管止水阀。
6. 厕所溢水	A. 存水弯堵塞。 B. 污水管或通道堵塞。	A. 用搵子通开堵塞物。 B. 清除污水管或通道的堵塞物。

IMPORTANT CONSUMER INFORMATION 用户须知

CONSUMER RESPONSIBILITIES

If you live in a hard water area, make certain that the holes in the toilet rim are kept clean to ensure proper bowl flushing. Toilet bowl cleaners should be used at least once a week. Use a long-handled brush to clean the rim holes, and to clean as far into the trap as possible to prevent mineral deposits from forming.

Most toilet bowl cleaners are not harmful to the vitreous china surface of the toilet bowl. Please follow the bowl cleaner manufacturer's instructions carefully.

Do not use abrasive cleaners or solvents.



WARNING: Risk of property or product damage. Do not use in-tank cleaners. Products containing chlorine (calcium hypochlorite) can seriously damage fittings in the tank. This damage can cause leakage and property damage.

Kohler Company shall not be responsible or liable for any damage to these tank fittings caused by the use of cleaners containing chlorine (calcium hypochlorite).

用户责任

如果你居住地方的水质是硬性, 你必须保持冲水孔清洁, 令座便器冲水正常。每星期应最少使用座便器清洁剂清洁一次, 用长把手的刷子清洁冲水孔, 并尽量伸入排污管洗刷, 防止矿物质积聚。

大多数马桶清洁剂对座便器表面是无害的。请认真遵循马桶清洁剂制造商的指示来操作。

请勿使用腐蚀性清洁剂或溶剂。



警告: 提防楼宇受损或损坏产品 请勿使用水箱内用清洁剂。含氯(次氯酸钙)的清洁剂会严重破坏水箱配件, 从而引起渗漏, 或对楼宇结构造成损坏。

科勒公司对此类因使用氯(次氯酸钙)而引致的水箱装置损毁, 概不负责。

KOHLER®

科勒®厨卫经典

皮诺 PINOIR

维修零件图

SERVICE PARTS PAGE

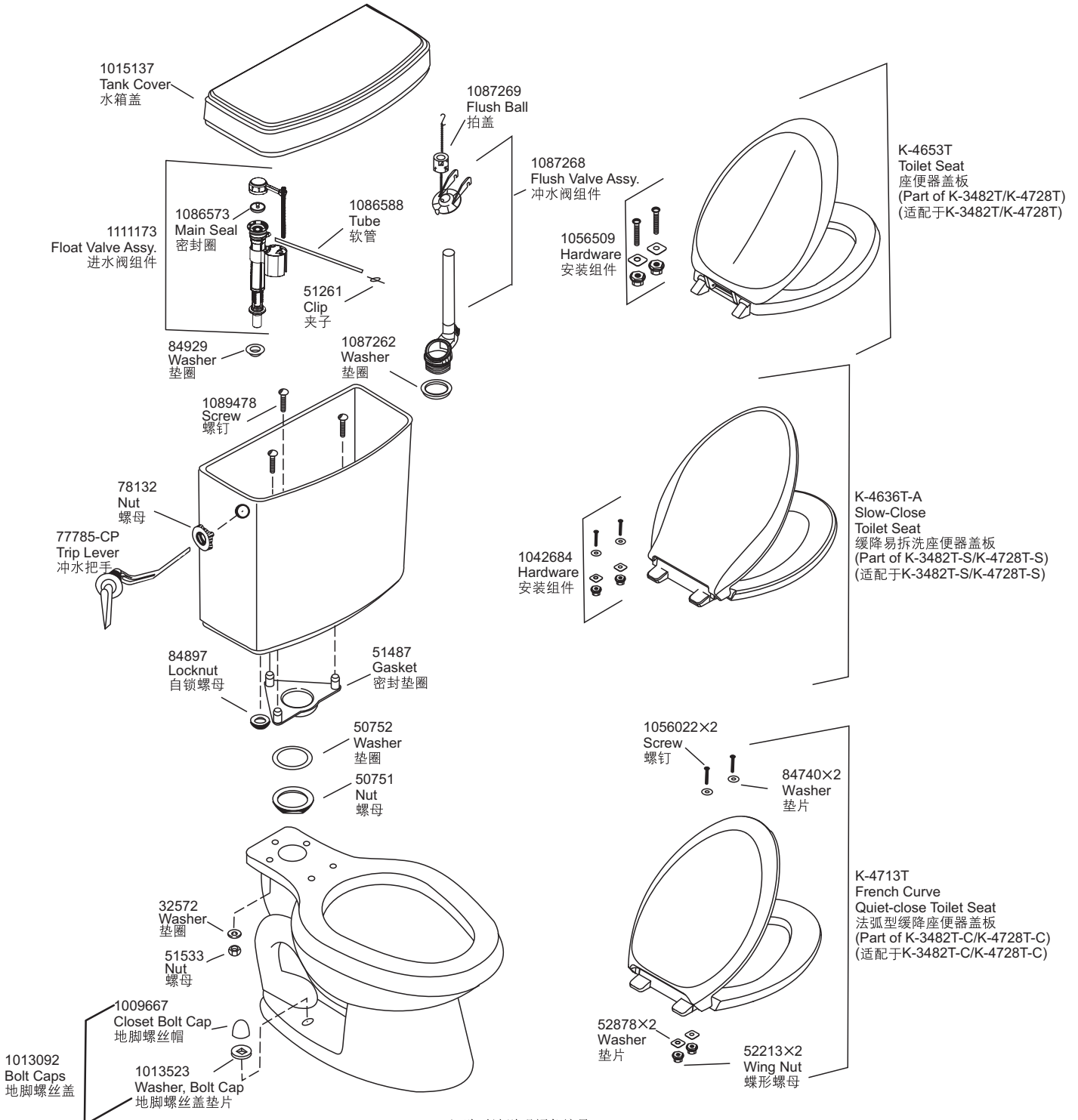
釉面陶瓷喷射虹吸式分体座便器

VITREOUS CHINA SIPHON JET TWO-PIECE TOILET

S-EB 305mm K-3482T/K-3482T-S/K-3482T-C

S-EB 380mm K-4728T/K-4728T-S/K-4728T-C

Model 型号	K-3482T	K-3482T-S	K-3482T-C	K-4728T	K-4728T-S	K-4728T-C
Spec 规格	S-EB 305mm	S-EB 305mm	S-EB 305mm	S-EB 380mm	S-EB 380mm	S-EB 380mm
Bowl 缸体	K-4276T-6	K-4276T-6	K-4276T-6	K-4721T-6	K-4721T-6	K-4721T-6
Tank 水箱	K-4609T	K-4609T	K-4609T	K-4609T	K-4609T	K-4609T
Seat 盖板	K-4653T	K-4636T-A	K-4713T	K-4653T	K-4636T-A	K-4713T



订购时请说明颜色编号
Color code must be specified when ordering.

KOHLER®

科勒®厨卫经典

皮诺 PINOIR

维修零件图

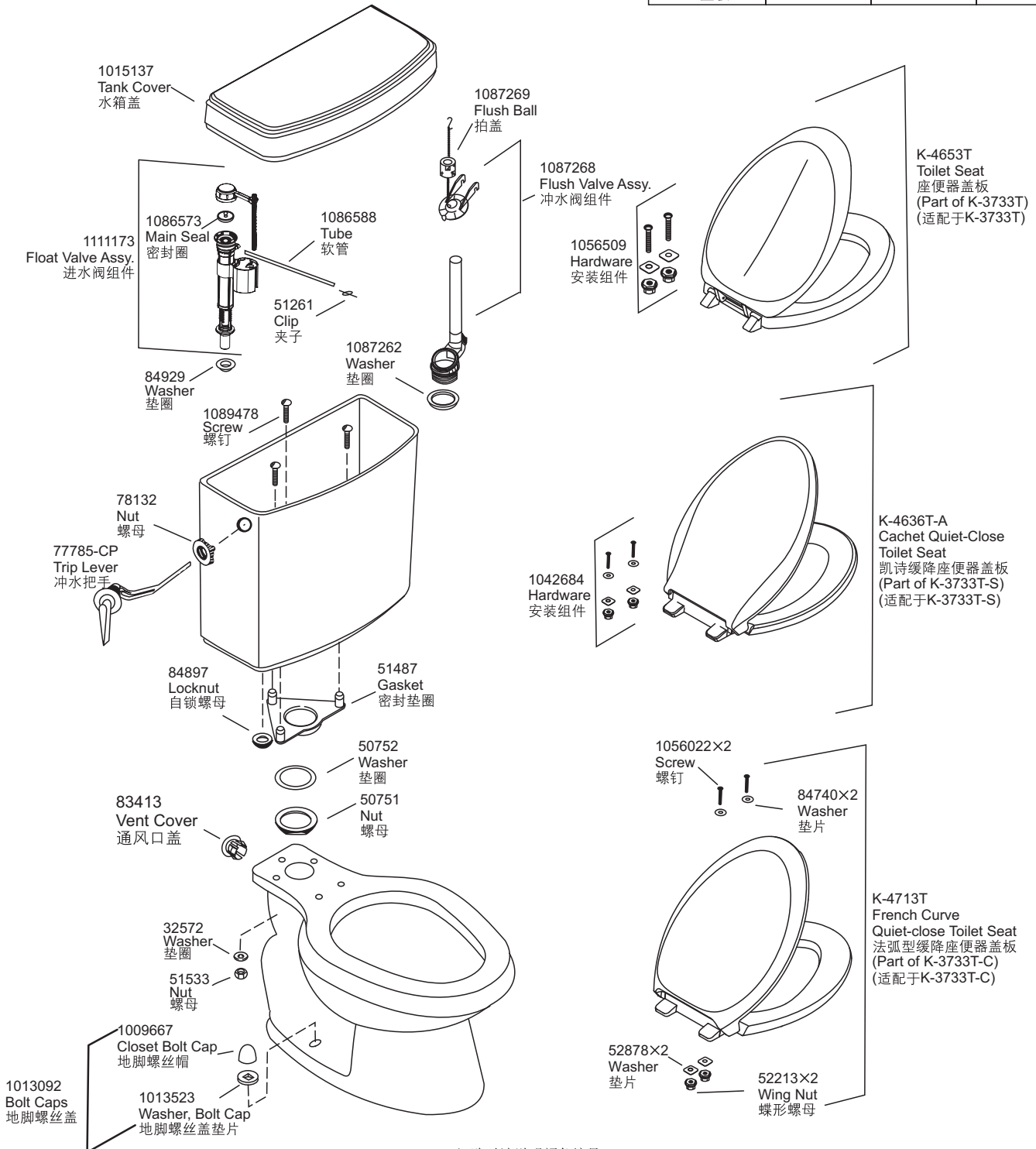
SERVICE PARTS PAGE

釉面陶瓷喷射虹吸式分体座便器典雅版

VITREOUS CHINA SIPHON JET TWO-PIECE TOILET

S-EB 305mm K-3733T/K-3733T-S/K-3733T-C

Model 型号	K-3733T	K-3733T-S	K-3733T-C
Spec 规格	S-EB 305mm	S-EB 305mm	S-EB 305mm
Bowl 缸体	K-4170T	K-4170T	K-4170T
Tank 水箱	K-4609T	K-4609T	K-4609T
Seat 盖板	K-4653T	K-4636T-A	K-4713T



订购时请说明颜色编号
Color code must be specified when ordering.