

BEFORE YOU BEGIN

- Please read these instructions carefully to familiarize yourself with the required tools, materials, and installation sequences. Follow the sections that pertain to your particular installation. This will help you avoid costly mistakes. In addition to proper installation, read all operating and safety instructions.
- All information is based on the latest product information available at the time of publication. Kohler China Ltd. reserves the right to make changes in product characteristics, packaging, or availability at any time without notice.
- These instructions contain important care, cleaning, and warranty information-**please leave these instructions for the consumer.**

安装之前

- 请仔细阅读此说明书以熟悉所需要的工具、材料及安装顺序。遵循适合您的特定安装要求的各项内容，避免昂贵的损失。除了要正确安装外，还应阅读操作及安全说明。
- 所有的资料是按最新出版的产品资料编写而成。科勒中国有限公司保留任何时候无须通知即可改变产品特性、包装或产品可供类型的权利。
- 说明书包括重要的安装、清洁及保养方面的内容，**请把这些资料交给用户阅读。**

PRODUCT REQUIREMENTS

A. Summary Of Key Requirements

- Observe all local plumbing codes.
- Install the unit to a level subfloor.
- Provide properly-dimensioned framing.
- Baths are designed for a variety of installations, depending upon the model chosen.

产品要求

A. 关键要求的总结

- 请遵守当地的卫生管道施工规范。
- 在水平的地板上安装浴缸。
- 提供适当尺寸的结构。
- 浴缸的设计适用于不同的安装方式，请按型号来选定。

B. Product Inspection

Uncrate and inspect bath for damage. Leave all materials in the crate during construction to prevent damage.

B. 产品检查

小心地打开包装箱并检查浴缸是否损坏。施工期间将所有的材料都留在箱内，以防止损坏。

ROUGHING-IN

A. Ordering Information:

Accessories/Hardware:		
Drain	17295T-CP	Optional

安装尺寸

A. 订购信息:

装饰/配件:		
排水	17295T-CP	推荐使用

B.Product Information:

Fixture*:	Basin area	Top area	Weight
Bathing Well	1220x640mm	1610x725mm	65kg
	Water depth	Capacity(To overflow bottom)	
	416mm	322L	

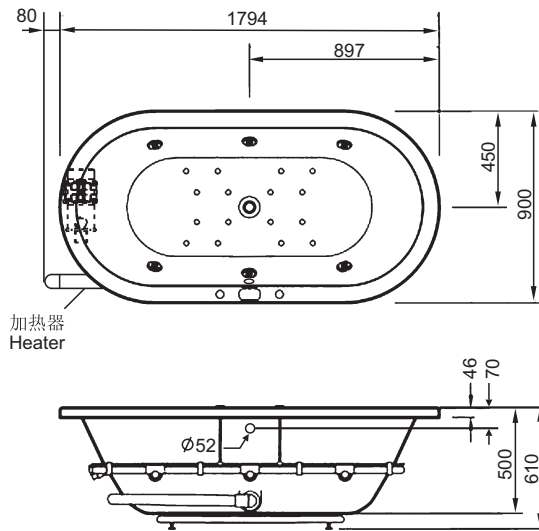
* Approximate measurements for comparison only.

B.产品资料:

浴缸*:	底部	顶部	重量
面积	1220x640毫米	1610x725毫米	65千克
	深度(至溢水口下部)	容积(至溢水口下部)	
	416毫米	322升	

*为比较浴缸所用的参考数值。

Roughing-in:



尺寸图:

UNIT: mm
单位: 毫米

Access Size(W×H): 700×450
检修门尺寸(宽×高): 700×450

溢水口: Ø52
Diameter of overflow hole: Ø52
排水口: Ø50
Diameter of drain hole: Ø50

INSTALLATION REQUIREMENTS

安装要求

A. Tools Required B. Materials Required

- | | |
|---|--|
| <ul style="list-style-type: none"> • Adjustable pipe wrench • Rule • Level • Safety shoes • Safety glasses • Square • Screwdriver • Pliers • Utility knife | <ul style="list-style-type: none"> • Plumbers putty • Wall coverings, as necessary • Silicone sealant • Gypsum cement (optional) • Construction adhesive (optional) • Protective covering for bathtub • Nails |
|---|--|

A. 所需工具

- 管道扳手
- 刻度尺
- 水平仪
- 安全鞋
- 安全眼镜
- 直角尺
- 螺丝刀
- 钳子
- 多用工具刀

B. 所需材料

- 管道用油灰
- 墙面保护罩(如需要)
- 密封硅胶
- 石灰水泥(选用)
- 建筑粘胶(选用)
- 浴缸保护套
- 钉子

C. Clearance Requirements

Check the rough-in and room dimensions to provide adequate available space for the bath unit.

C. 预留尺寸

检查安装尺寸及浴室尺寸, 确保有充分的空间安装浴缸。

SITE REQUIREMENTS

安装场所要求

A. Subfloor Preparation

Check the flooring under the bath, and make repairs as needed. Make sure the subfloor is level.

A. 底层地板的准备

检查浴缸下的地板，若需要请进行修补。请确保底层地板水平。

B. Bath Area Construction Preparation

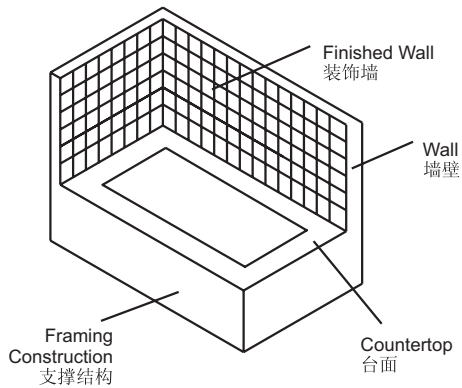
Possible framing arrangements are illustrated below. Use the framing construction appropriate for your particular bath model. Some modifications may be needed for other types of construction, if preferred.

B. 浴缸支撑结构的准备

下图所示为几种常用的支撑结构，请采用适合您的浴缸型号的结构。对不同的支撑结构方式，也许有必要进行适度调整。

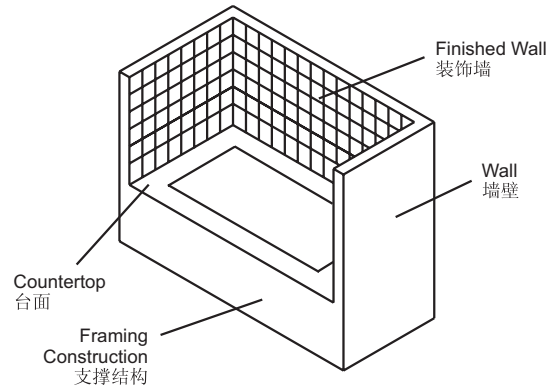
1) Corner Installation

1) 墙角安装



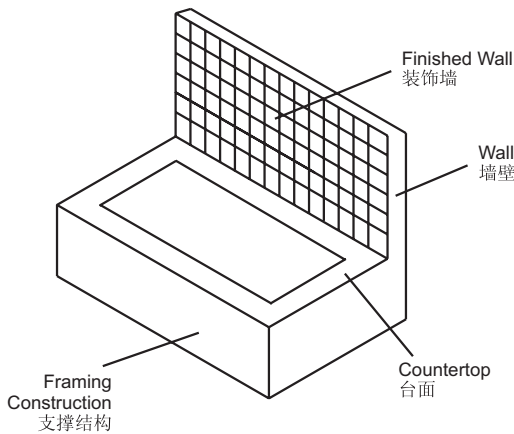
2) Recessed Installation

2) 三面靠墙安装



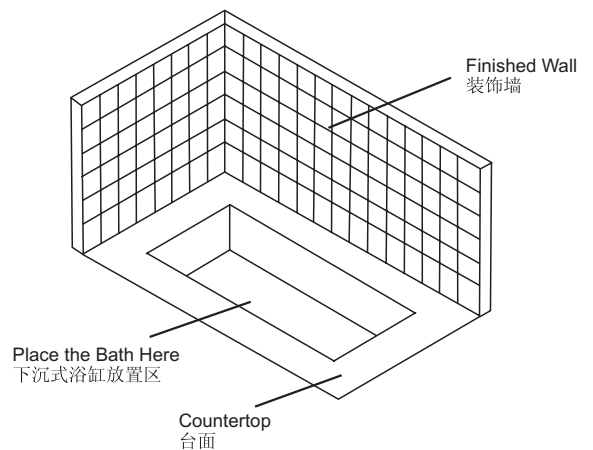
3) Peninsular Installation

3) 单面靠墙安装



4) Sunken Installation

4) 下沉式安装



C. Plumbing Preparation

Position the plumbing according to rough-in dimensions. Cap the supplies and check for leaks.

C. 管道的准备

将管道按安装尺寸安置，堵塞供水管并检查是否漏水。

BEFORE INSTALLING UNIT

安装浴缸之前

Install Bath Drain

Carefully pass the waste (drain) fitting between the spa pipes and bathtub wall.

安装浴缸排水配件

小心地将排水管件穿过按摩系统管件及浴缸外壁。

Install the drain on the bath according to the drain manufacturer's instructions.

Ensure that the Drain Control Cable and the Flexible Pipe run between spa pipes and bathtub wall.

按照厂家说明书，把排水配件部分安装在浴缸上。

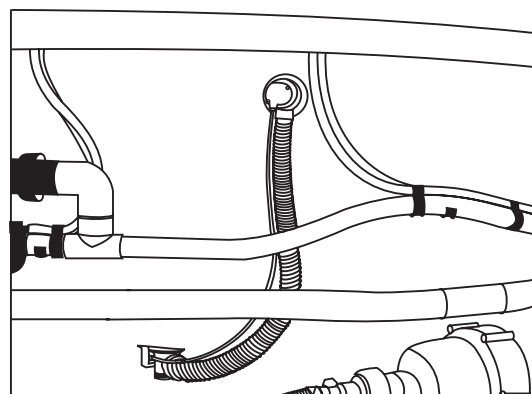
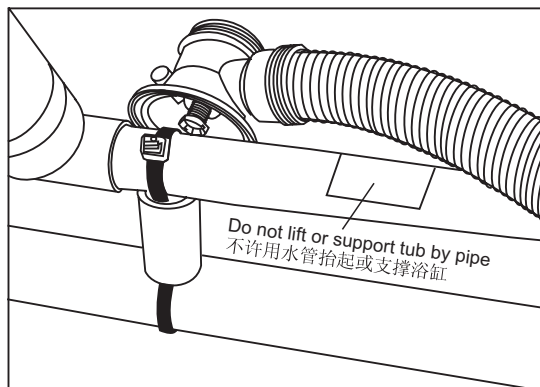
确保排水控制线和水管软管在按摩系统管件及浴缸外壁之间留有余地。

CAUTION: Ensure a watertight seal on the bath drain connections.

A. Install the faucet valving and shower head tee. When drilling bathtub for faucet, ensure sufficient clearance. Open the hot and cold water valves and check the supply connections for leaks.

B. Run water into the bath and check the drain connections for leaks.

C. Fill the bathtub up to the overflow level and check overflow unit for leaks.



注意：浴缸的所有排水接口都要确保做防渗密封。

A. 安装水龙头阀门及花洒三通。在浴缸上钻孔安装龙头时，请保证留有足够的间距。打开冷水及热水阀门，检查所有给水管接头是否渗漏。

B. 将浴缸注入水，检查排水配件接头是否有渗漏。

C. 注水至溢水口高度，检查溢水组件是否有渗漏。

INSTALL BATH

安装浴缸

1) Your new Hydrotherapy Massage Spa has been manufactured to the highest possible standards, it has been factory tested and approved.

1) 本浴缸质量上乘，已经工厂检测通过。

2) When removing bath from protective carton **DO NOT LIFT BATH BY PIPE WORK**. Inspect for any possible damage that may have occurred in transit.

2) 从起保护作用的纸箱中取出时，请不要拎着管道部分将浴缸取出。检查可能有搬运造成的损伤。

3) Identify motor access location before proceeding with installation. Access should face the pump directly.

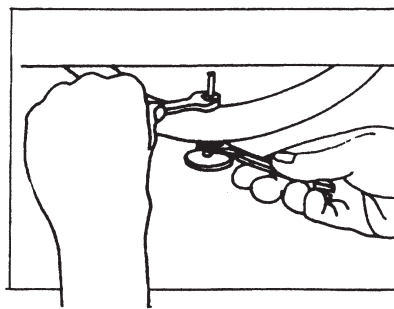
3) 安装前，请先确定马达检修门的位置。检查门需正对水泵位置。

NOTE: No motor access no warranty service. Ventilation must be provided to access in order to allow heat from motor to dissipate. It is recommended to use shutter-type access panel.

注意：无马达维修口，不能获得保修。检修门应通风良好，保证马达散热。建议使用百页窗形式的检修门。

4) Ensure adjustable feet are fitted through holes drilled in support frame.

4) 确保通过支架上所钻的孔，将可调支脚安装好。



5) Locate bath in required position.

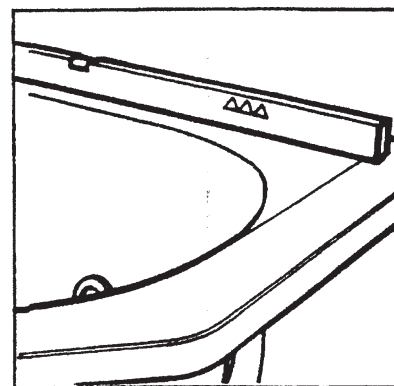
The protective film originally covering your spa has been removed to fit its equipment, therefore, carefully protect its surface during installation.

IMPORTANT: Bath must be installed level on all top edges.

5) 将浴缸放入所需的位置。

为了便于安装，原先盖在按摩浴缸上的塑料保护膜已除去。因此在安装过程中注意保护浴缸的表面。

注意：浴缸必须水平地放置。

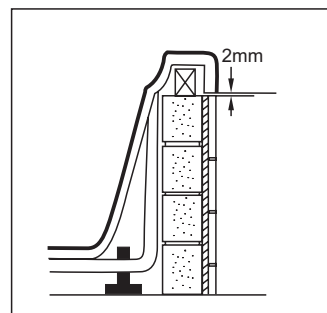


6) Adjust and lock feet.

6) 调节支脚并固定。

WARNING: Do not hang the bath by rim.
Keep a clearance of 2mm between the bath rim and the support.

警告： 不要靠浴缸边缘将浴缸悬挂。
浴缸边缘与支撑物之间留出2毫米间隙。



7) Connect Power Supply

Connect power supply to control unit.

The electrical connections must comply with local authority regulations and must be done by an authorized electrician. Please refer to Spa Pump Installation & Operation Instructions sheet.

7) 连接电源

连接控制盒电源。

电气连接必须由授权电工来完成，操作必须符合当地电气规范。请按照按摩水泵系统安装说明及操作手册来安装。

DUAL SYSTEM

15 AMPS Supply

双重按摩系统

15安培

8) Fill bathtub with water to approximately 40 mm above the jets and trial run pump for 10-15 minutes. Check all the fittings for leaks and test the control functions. Switch off the spa pump and leave the unit filled with water (pump is not running) for at least another two minutes. Check the pump and pipes union connections for leaks. Hand tighten union connections if required.

8) 将浴缸注入水，水位高过喷头大约40mm，试运行水泵10-15分钟。检查所有的部件是否有渗漏并测试控制系统。关闭按摩水泵并让浴缸注满水(水泵不运行)至少2分钟。检查水管连接处是否有渗漏。如有必要的话将各接头处再拧紧。

IMPORTANT: Your spa has been factory tested and approved. It is the responsibility of the installer to test run the spa check all the fittings for leaks and test the control functions.
NON OBSERVANCE WILL INVALIDATE FACTORY WARRANTY.

重要信息: 按摩浴缸已经工厂检测通过。安装人员在责任检查按摩浴缸的工作情况，检查所有安装有无渗漏。检查控制功能。

疏忽导致的损坏，不能获得工厂的保修。

9) Bath Rim Support

Drop-In Models:

CAUTION: Risk of product damage. Do not support the weight of the bath by the rim.

9) 完成浴缸边缘处的安装

无裙边浴缸类型:

注意: 当心损坏浴缸! 不要靠浴缸边缘支撑浴缸的重量。

10) Complete Finished Wall

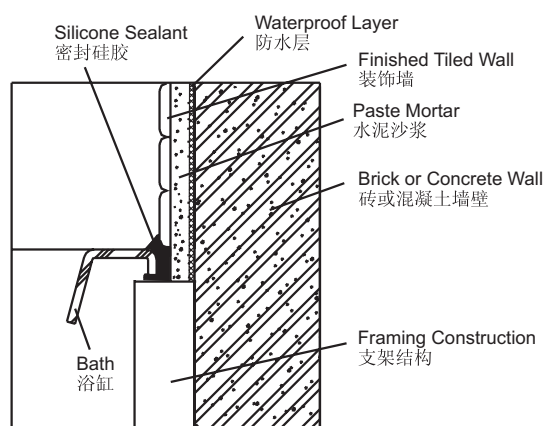
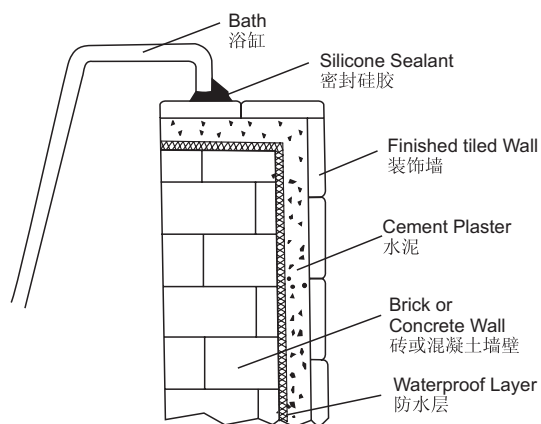
Complete decoration, such as sticking the tile or marble into place.

It is strongly recommended to use sealant that has been hardened under room temperature.

10) 完成墙壁装修

完成墙壁贴面(如瓷砖或大理石贴面)。

建议: 使用常温下硬化的密封胶。



DIRLLING AND CUTTING ACRYLIC

在亚克力表面上钻孔和切割

DRILLING: Small holes can be drilled with a twist drill, but the cutting edge **MUST** be backed off with an oil stone (the sharp edge dulled). Large holes must be drilled with a hole saw. Maximum drill size-12mm. Drill speeds-6mm x 1800 RPM-12 mm x 900 RPM.

NOTE: Always drill from acrylic surface.

CUTTING: If for any reason the acrylic requires cutting, use a fine tooth hacksaw and proceed with caution. Edges can be smoothed with a second-cut file and medium-fine sandpaper. If the surface of the acrylic should happen to be damaged, it can be restored by polishing with an abrasive cleaner. Deep scratches can be removed by rubbing with 600 grade wet & dry sandpaper then polishing.

钻孔: 可用一麻花钻头钻小孔，但切削刃必须用一块油石磨钝。大孔须用孔钻加工。麻花钻头的最大尺寸为12mm，速度为6mmx180转/分至12mmx900转/分。

注意: 钻孔要从亚克力表面钻向浴缸背面。

切割: 如果因故需要切割亚克力，请用优质齿型钢锯仔细切割。边缘可用一旧锉刀及中等砂纸磨平。如果亚克力表面受损，可用磨蚀性清洁剂抛光，将其恢复。深度刮伤可用600号水砂纸磨平，然后抛光。

CLEAN-UP AFTER INSTALLATION

When cleaning up after installation, do not use abrasive cleansers as they may scratch and dull the surface. Use warm water and liquid, non-abrasive detergent to clean the surface.

Stubborn stains, paint, or tar can be removed with mineral spirits. Do not use cleaners containing solvent. Plaster can be removed by scraping with wood edge. Do not use metal scrapers, wire brushes, or other metal tools. One of the powder type detergents may be used on a damp cloth to provide mild abrasive action to the residual plaster.

完工清理

在安装完成后进行清理时，请勿使用磨损性的清洁用具，以免擦伤浴缸表面，使其失去光泽。使用温水和非磨损性的液体清洁剂，清洗浴缸表面。

难以清除的污迹、油漆、或柏油，可用酒精擦净。请不要让含有溶剂的清洁剂。滞留水泥可用薄木刀刮掉。请不要使用金属刮刀，钢丝刷，或其它金属工具。对残留的水泥浆，可用湿布粘些洗衣粉，以提供轻微的研磨作用。

IMPORTANT CONSUMER INFORMATION

A. Consumer Responsibilities

Cleaning Acrylic Surfaces: Do not use abrasive cleansers on any acrylic surfaces, as they will scratch and dull the surface. Wipe out the bath after each use to prevent a build-up of soap and scum.

If the acrylic surface becomes dull, an automotive type rubbing compound *may be used on the unit, followed by an application of paste wax.

*We recommended:
Rubbing compound mequiars mirror glaze 28 metal polish (import product) or "green oil".

重要的用户资料

A. 用户的责任

清洗压克力表面：请勿在压克力表面使用磨损性的清洁用具，以免擦伤浴缸表面，使其失去光泽。每次使用后，将浴缸擦干，以防止肥皂和污垢沉积。

若压克力表面失去光泽，先用汽车抛光剂*，然后再用粗腊打亮。

*我们推荐使用以下2种抛光剂：
① Mequiars 镜面光亮28金属上光剂。(进口)
② 抛光膏(绿油)。

